

SERIES UPR ULTRA-PURE PRESSURE REGULATOR



FEATURES:

- Non-shutoff design, will pressure balance under no-flow condition. For positive shutoff version, consult factory.
- All thermoplastic construction, no elastomers used in non-shutoff version.
- Standard connections: PVDF butt-fusion for Asahi or GF high purity piping systems. Flare and other types available; consult factory.
- High performance regulator provides maximum flow with minimal pressure loss downstream.
- No metal components other than a non-wetted, PVDF coated spring.
- Variable area diaphragm provides excellent sensitivity.
- Set pressure 5-100 PSI
- Multi-turn pressure adjustment provides accurate, infinite settings.
- Maximum inlet pressure 150 PSI
- High purity 8 hour hot/8 hour cold DI rinse and CDB procedure is standard; clean and double bag in class 100 (ISO 5) clean room.

CAUTIONARY NOTES:

1. This regulator will never close off flow completely. It **DOES NOT** provide positive shut-off. Therefore, if the demand goes below that value at which the regulator was set, the outlet pressure will rise above the set point and if the demand is stopped (no flow condition) the outlet pressure will rise up to the value of the inlet pressure. If excessive pressure can damage downstream equipment a shut-off valve must be placed between the regulator and the equipment in question.
2. Quick closing valves installed downstream of the regulator can cause water hammer. This may cause leakage, diaphragm or seal damage.

MINIMUM FLOW REQUIREMENT

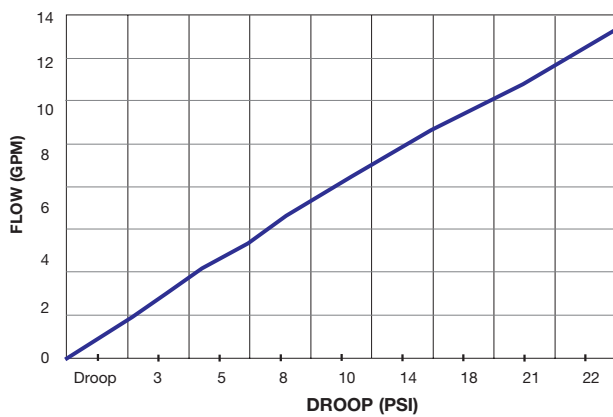
Pipe Size		Minimum Flow
mm	in	
	1/4"	0.2 GPM
20 mm	1/2"	0.3 GPM
25 mm	3/4"	0.5 GPM
32 mm	1"	0.75 GPM
50 mm	1-1/2"	1.3 GPM
63 mm	2"	1.8 GPM



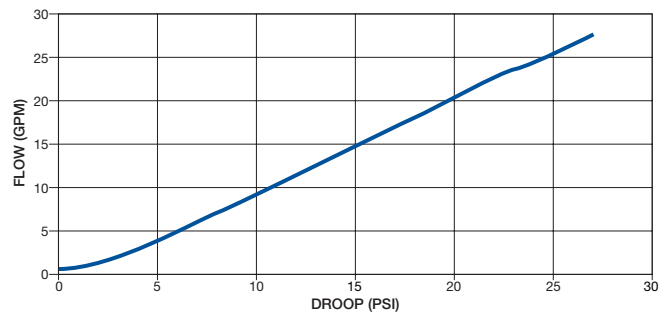
SERIES UPR ULTRA-PURE PRESSURE REGULATOR

PERFORMANCE CURVES

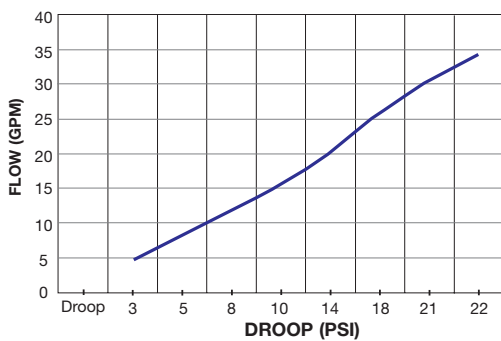
1/2" / 20 MM



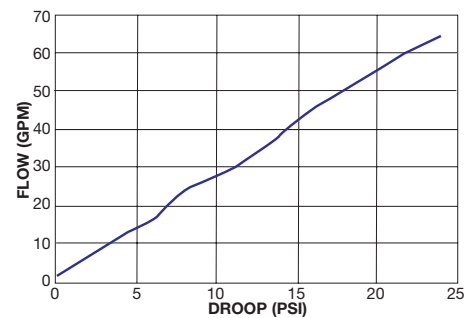
3/4" / 30 MM



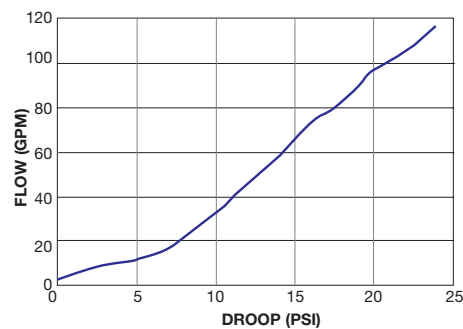
1" / 32 MM



1 1/2" / 50 MM



2" / 63 MM

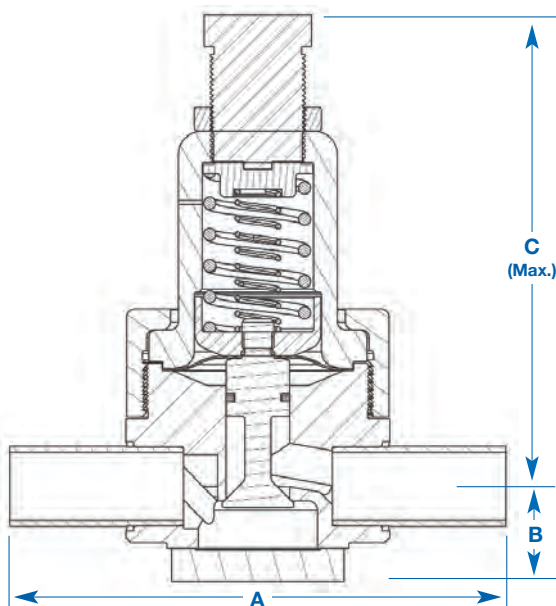


Tests performed with city water 70 PSI inlet @ 75°F with test regulators set at 35 psi outlet.



SERIES UPR ULTRA-PURE PRESSURE REGULATOR

DIMENSIONS & ORDERING INFORMATION



DIMENSIONS

Pipe Size		A		B		C	
IN.	MM	IN.	MM	IN.	MM	IN.	MM
1/2"	20	7"	178	1 1/4"	32	6 11/16"	170
3/4"	25	7 7/8"	200	1 3/8"	35	7 1/2"	191
1"	32	8 5/32"	208	1 1/2"	39	9 1/16"	233
1 1/2"	50	9 31/32"	254	2 9/16"	65	12 3/16"	310
2"	63	10 3/32"	257	3 3/16"	81	12 3/8"	314

MODEL NUMBERS

Pipe Size	Connection	PVDF
1/4"	Threaded	UPR025TT-PF
1/4"	Flare	UPR025TFR-PF
20 mm	Spigot	UPR20TSP__-PF
25 mm	Spigot	UPR25TSP__-PF
32 mm	Spigot	UPR32TSP__-PF
50 mm	Spigot	UPR50TSP__-PF
63mm	Spigot	UPR63TSP__-PF
		PTFE
1/4"	Flare	UPR025TFR-TF

NOTE: Spigot type must be specified. Fill in blank with 1-Asahi, 2-GF, 3-IPS to complete part number.
 Example: UPR32TSP1-PF

