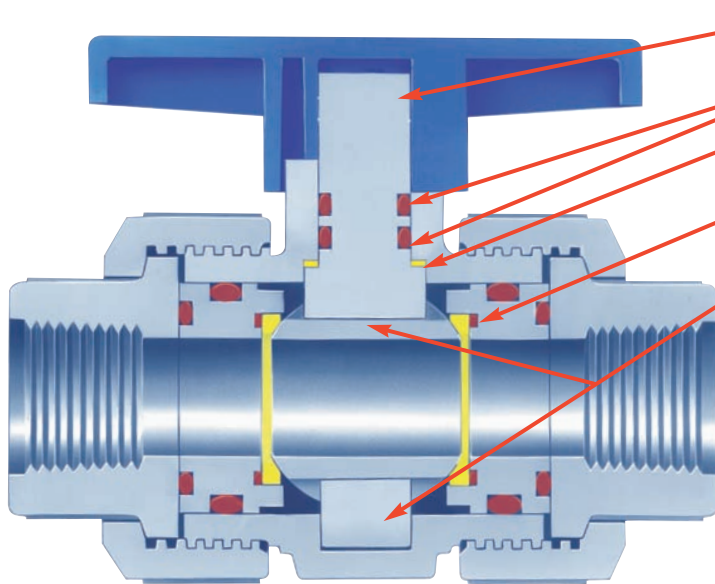


2-WAY MANUAL BALL VALVE

FEATURES:



- Heavy-duty, large diameter shaft to eliminate flexing and breakage.
- Dual shaft seals eliminate leakage.
- PTFE bearing on shaft eliminates friction and wear; stem design is “blow-out” proof.
- PTFE seats energized with O-rings eliminate wear and improve cycle life.
- Trunnion design eliminates lateral ball stress and allow downstream piping to be disconnected under full line pressure.
- Fully concentric and mirror polished ball assures smooth, leakproof operation.
- Multi-direction flow means valve cannot be piped in backwards.
- Smooth flow path eliminates pressure loss.
- True-union ends for ease of piping installation and removal.
- Mounting lugs on body for piping support or easy attachment of True Blue Actuators.

Each valve is 100% individually inspected and tested prior to shipment.

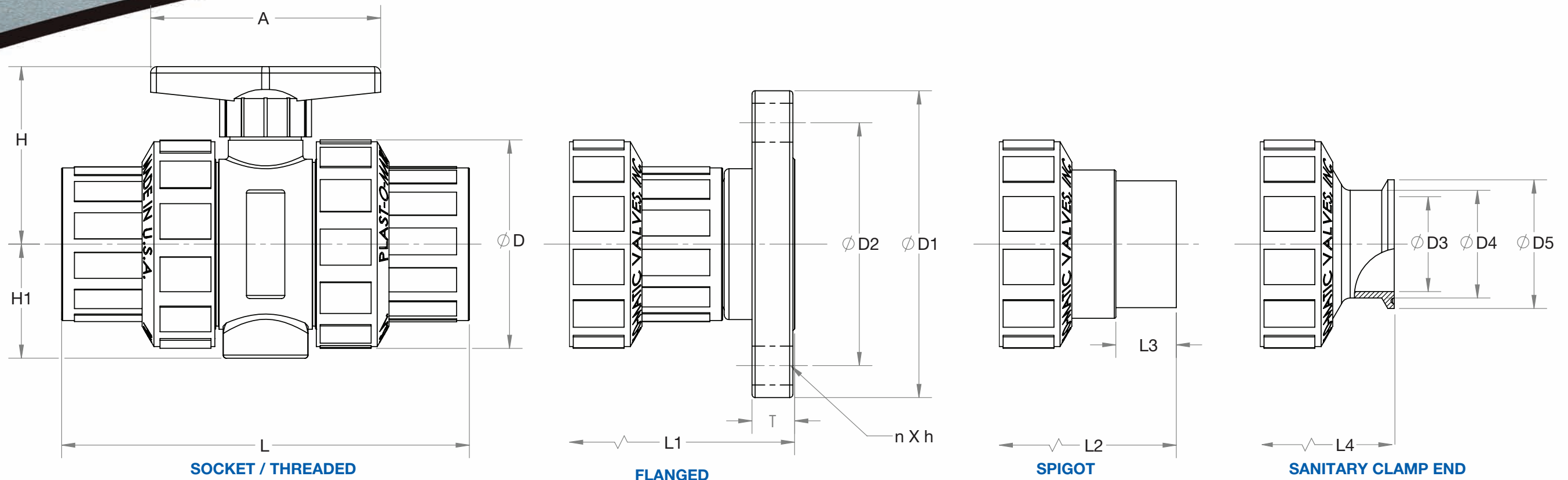
DESIGN:

Known as “The Engineered Ball Valve”, Series MBV provides more safety and design features than any other thermoplastic ball valve. With its mirror-polished ball, perfectly machined sealing surfaces, Trunnion centering design, PTFE thrust bearing and O-ring loaded floating PTFE seats, the True Blue manual ball valve offers smooth turning even in difficult applications. The floating seats automatically compensate for seat wear, and after long-term cycling, the carriers can easily be returned to their original position simply by tightening the union nuts.

The top and bottom “Trunnion” design permits flow and pressure in either direction, and eliminates the stresses inherent to a ball secured only at the top. Sizes 1/2" through 1 1/2" have a full port; size 2" has a tapered port; the ultra smooth flow path virtually eliminates turbulence and pressure loss and permits flow rates that far exceed pipe manufacturers specifications.

PVC • CPVC • Natural Polypro • Kynar PVDF • Red Kynar PVDF





MODEL	SIZE		A		H		H1		ϕD		$\phi D1$		$\phi D2$		n	h		T		L		L1		L2		L3		
	IN.	DN	IN.	mm.	IN.	mm.	IN.	mm.	IN.	mm.	IN.	mm.	IN.	mm.		IN.	mm.	IN.	mm.	IN.	mm.	IN.	mm.	IN.	mm.	IN.	mm.	
MBV037	3/8"	16	3.1	80	1.9	48	1.0	25	2.0	51	N/A	N/A	N/A	N/A	N/A	N/A	N/A	N/A	N/A	N/A	4.1	105	N/A	N/A	N/A	N/A	N/A	N/A
MBV050	1/2"	20	3.1	80	1.9	48	1.0	25	2.0	51	3.5	89	2.4	61	4	.62	16	.53	13	4.1	105	5.9	150	5.7	145	0.83	21	
MBV075	3/4"	25	3.8	95	2.6	67	1.2	31	2.5	64	3.9	99	2.8	71	4	.62	16	.56	14	4.8	121	6.7	170	6.3	160	0.83	21	
MBV100	1"	32	3.8	95	2.6	67	1.4	36	2.8	72	4.3	104	3.1	79	4	.62	16	.63	16	5.5	140	7.6	193	6.9	175	0.83	21	
MBV125	1-1/4"	40	4.5	114	3.5	89	2.2	56	4.1	104	4.6	117	3.5	89	4	.62	16	.69	16	6.7	170	8.9	226	9.0	229	1.20	31	
MBV150	1-1/2"	50	4.5	114	3.5	89	2.2	56	4.1	104	5.0	130	3.9	99	4	.62	16	.75	19	6.8	172	9.4	239	9.0	229	1.20	31	
MBV200	2"	63	4.5	114	3.5	89	2.2	56	4.1	104	6.0	152	4.8	122	4	.75	19	.81	20	7.9	200	10.6	269	8.9	226	1.17	30	

SIZE	SANITARY CLAMP END DIMENSIONS							
	L4		$\phi D3$		$\phi D4$		$\phi D5$	
	IN.	mm.	IN.	mm.	IN.	mm.	IN.	mm.
1/2" MINI	4.7	120	.56	14	.75	19	.99	25
3/4" MINI	4.9	123	.56	14	.75	19	.99	25
1" MAXI	5.2	132	.86	22	1.11	28	1.5	38
1" LADISH	5.8	147	.86	22	1.32	33	1.98	50
1-1/2"	7.3	184	1.36	34	1.61	41	1.98	50
2"	7.3	184	1.86	47	2.11	54	2.52	64

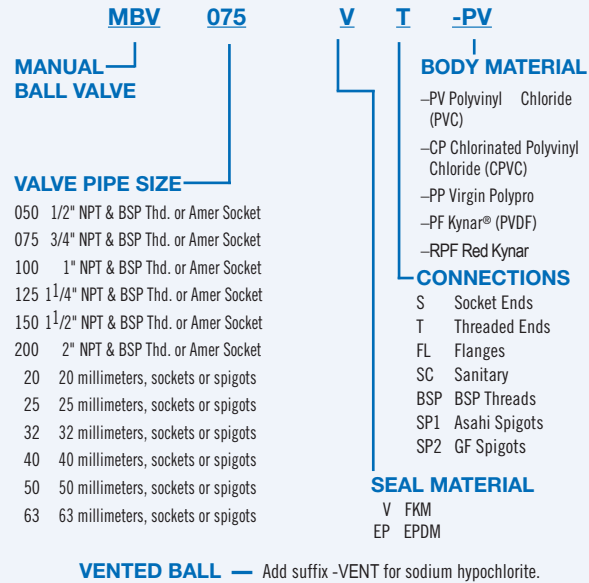
NOTE: SPIGOT CONNECTIONS AVAILABLE IN PVDF AND POLYPRO, ASAHI AND GF PIPE SIZES

ASAHI PVDF IS PURAD, SDR 21 SIZES.
 ASAHI POLYPRO IS POLYPURE SDR 11 SIZES.
 GF PVDF IS SYGEF SDR 21 SIZES.
 GF POLYPRO IS BETA SDR 11 SIZES.

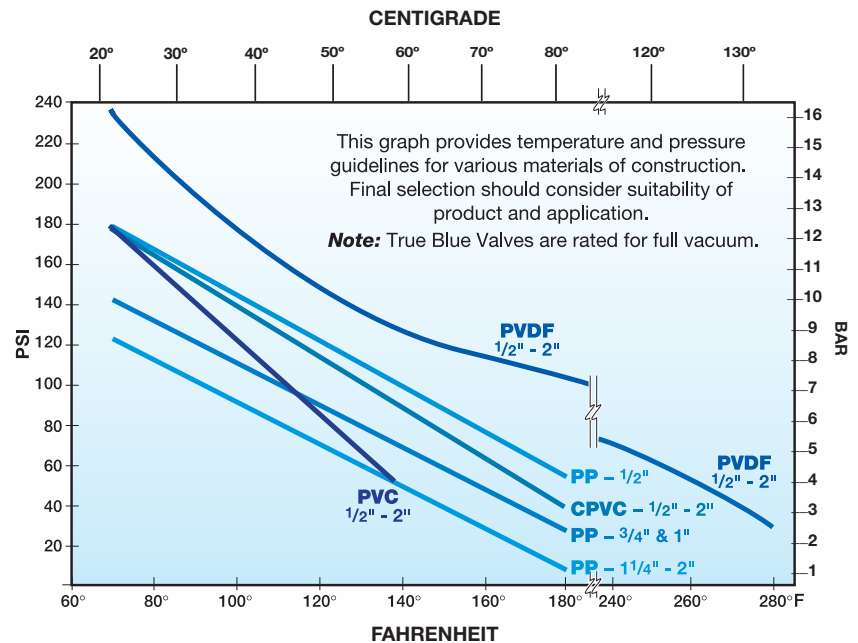
ORDERING INFORMATION

Order by part number and specify exact chemicals, temperatures and pressures. To arrive at the proper part number, please consult diagram below.

The letters and numbers used in this part number are for example only!



MATERIAL GUIDELINE FOR PRESSURE AND TEMPERATURE



APPROXIMATE FLOW RATES at 1.0 PSI (0,07 Bar) Pressure Drop

Valve Sizes	1/2	3/4	1	1 1/4	1 1/2	2
Cv Factor	10	20	40	80	100	120

TORQUE SPECIFICATIONS

Torque in-lbs.	25	35	45	70	70	70
----------------	----	----	----	----	----	----