

RDH40 Density and Dew Point Transmitter

LANSO[®]
SF₆ measuring



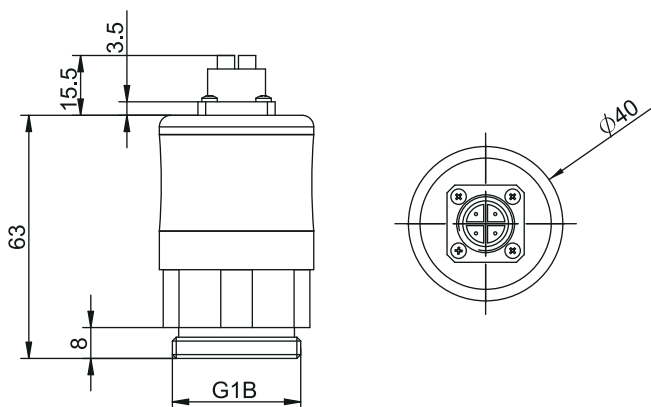
Options

- Measuring gas medium:
SF₆、 Air、 N₂、 SF₆+N₂ and other gases

Technical Data

Operating environment:	-40℃~+80℃
Pressure range:	0~1.4MPa abs.
Temperature range:	-40℃~+80℃
Dew point range:	-50℃~+20℃
Pressure accuracy:	±0.5% FS
Temperature accuracy:	±0.5℃
Dew point accuracy:	±3℃
Leakage:	≤1X10 ⁻⁹ Pa · m ³ /s
IP rating:	IP65

Dimensions



Description

This product is mainly used to monitor the temperature, pressure, density and dew point of SF₆ gas in closed containers, with real-time remote monitoring function. Intelligent compensation technology is adopted inside the product, which can track the nonlinear change of SF₆ gas pressure and the change of humidity in real-time. The measurement is accurate and widely used. Suitable for medium and high voltage system monitoring, can provide new substation supporting and existing substation intelligent transformation and other solutions.

Applications

- SF₆ Gas Insulated Switchgear (GIS)
- SF₆ insulated circuit breakers
- SF₆ insulated pole-mounted switch
- SF₆ insulated transformer
- SF₆ insulated mutual inductor
- SF₆ Gas insulated busbar systems
- SF₆ insulated inflatable cabinet
- SF₆ insulated RMU

Features

- SF₆ gas remote density transmitter suitable for medium and high pressure system monitoring
- Multi-parameter meter for simultaneous monitoring of gas dew point, density, pressure and temperature
- RS485 bus communication (Modbus RTU)
- The EMC characteristics of the transmitter fully meet the highest requirements of IEC 61000-4-2 to IEC 61000-4-6 standards

Main electrical performance indicators and specifications of the remote transmission part

Power supply: 24V DC
Power consumption: < 0.35W
Communication mode: RS485
Protocol: Modbus RTU
Baud rate: 9600bps

Anti-electromagnetic interference
IEC61000-4-2: level 4 (8/kV15kV)
IEC61000-4-3: level 3 (10V / m)
IEC61000-4-4: level 4 (2kV/4kV)
IEC61000-4-5: level 4 (2kV/4kV)
IEC61000-4-6: level 3 (10V)
IEC61000-4-9: level 5 (1000A / m)
IEC61000-4-10: level 4 (30A / m)