

## Temperature sensor for shipbuilding industry **TOPG-31/M, TONG-31/M**

### Technical description

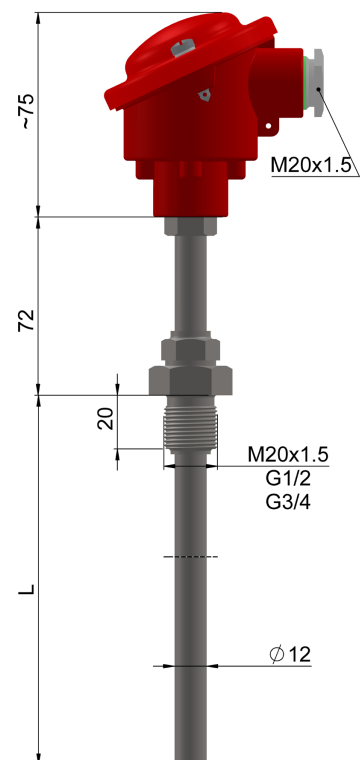
Measuring range / sensing element		
(-50 ÷ 550) °C	<b>Pt100</b>	class B
(-50 ÷ 150) °C	<b>Ni100</b>	
Measuring insert		
- 2-, 3-, 4-wire connection (for Pt100)		
- 2-, 3-wire connection (for 2xPt100)		
- insert length: L+96 mm		
Thermowell		
- material: steel 1.4541		
- length L [mm]: 50÷500		
Connection head		
- BA, IP55, (-40 ÷ 100) °C		
Options		
- other threads (inch and metric) acc. to requirements		
- Pt100: class A, -50÷450 class AA (-50 ÷ 250) °C		
Additional accessories		
- temperature transmitters – p. 225+241		

#### Response time T05/T09

Sensor type	ø9	ø11
Pt	≤33/≤95	≤40/≤120

#### Resistors tolerance acc. to PN-EN 60751

Class	Wire wound resistor	
	Range [°C]	Tolerance [°C]
AA	(-50÷250)	±(0,1+0,0017· t )
A	(-100÷450)	±(0,15+0,002· t )
B	(-196÷600)	±(0,3+0,005· t )



### Ordering code

Temperature sensor	...	TO	...	G-31/M	-	...	...	...	...	...	...
Single	no sign										
Double	2										
With transmitter	AP										
Resistor Pt		P									
Resistor Ni		N									
Sheath length L [mm]				100*							
Thread dimension				G½; M20x1,5*							
Resistor class								A, B*			
Measuring circuit								2, 3, 4			
Type of transmitter											RT-01*
Setting of transmitter temperature											(0 ÷ 400) °C*

\* or others acc. to requirements

### Ordering example

**TOPG-31/M-250-G1/2-A-3** sensor with Pt100, class A, 3-wire connection, sheath length L = 250 mm, threaded fastener G½

**APTOPG-31/M-600-M20x1,5-A-3-RT-01-(0 ÷ 500) °C** sensor with Pt100 class A, 3-wire connection, sheath length L = 600 mm, threaded fastener M20x1.5, with transmitter (4 + 20) mA, temperature range (0 ÷ 500) °C