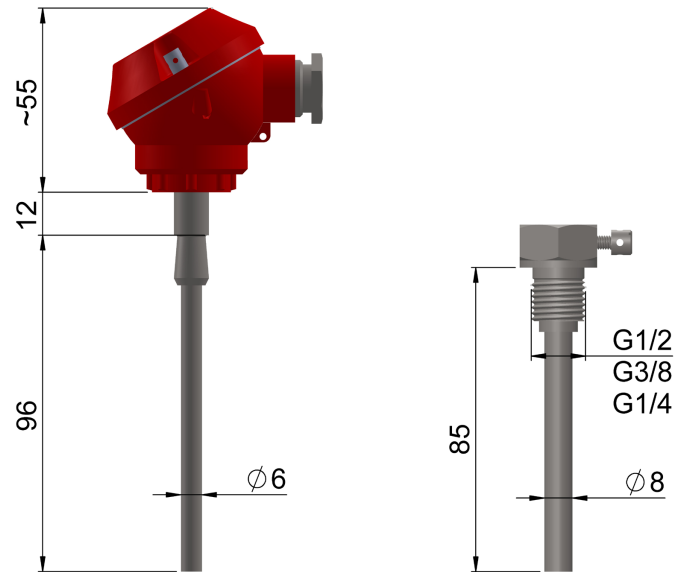


Temperature sensors for heating systems and heat engineering **TOP-145**

Technical description

Measuring range / sensing element		
(-50 ÷ 150) °C	Pt100	class B
Thermowell		
- material: steel 1.4541		
- length [mm]: 85		
- sheath attached to the sensor		
Connection head		
- MA, IP54, (-40 ÷ 100) °C		
Options		
- Pt500, Pt1000, Ni100, Ni1000		
- double measuring circuit, 2-wire connection connection		
- other threads (inch and metric) acc. to requirements		
- Pt100: class A or class AA		



Response time T05/T09

Sensor type	ø9	ø11
Pt	≤33/≤95	≤40/≤120

Resistors tolerance acc. to PN-EN 60751

Class	Wire wound resistor	
	Range [°C]	Tolerance [°C]
AA	(-50+250)	±(0,1+0,0017· t)
A	(-100+450)	±(0,15+0,002· t)
B	(-196+600)	±(0,3+0,005· t)

Ordering code

Temperature sensor	...	TOP-145	-	...	-	...	-	...	-	...
Single										
With transmitter (only single)		no sign AP								
Resistor class						A, B*				
Measuring circuit for RTD						2, 3, 4				
Thread dimension						G½; G¼; G¾				
Type of transmitter										LTT-03J*
Setting of transmitter temperature										(0 ÷ 100) °C*

* or others acc. to requirements

Ordering example

TOP-145-A-3-G½ sensor with Pt100, class A, 3-wire connection, outer sheath with thread G½

APTOP-145-B-2-G¼-LTT-03J-(0 ÷ 100) °C sensor with Pt100, class B, 2-wire connection connection, outer sheath with thread G¼ and transmitter LTT-03J, (4 ÷ 20) mA, temperature range (0 ÷ 100) °C