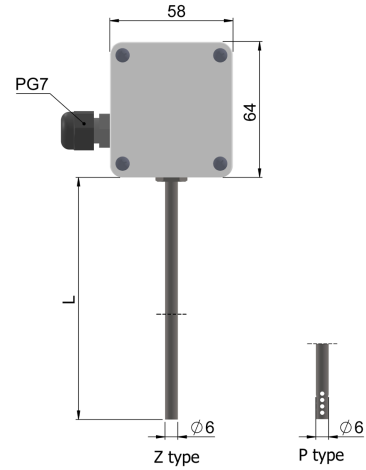


Temperature sensors for ventilation system **TOPK-851, TONK-851**

Dane techniczne

Measuring range / sensing element		
(-50 ÷ 150) °C	Pt100	class B
Thermowell		
– material: steel 1.4541		
– diameter [mm]: ø6		
– length L [mm]: 50÷1000		
– perforated sheath (P), closed-end sheath (Z)		
Housing		
– operating temperature: (-40 ÷ 85) °C		
– material: polycarbonate, IP67		
– max. of the environment humidity: 85% RH		
Options		
– Pt500, Pt1000, Ni100, Ni1000		
– 2-, 3-, 4-wire connection		
– Pt100: class A or class AA		
Additional accessories		
– temperature transmitters – p. 225+241		
– mounting brackets: UG-1, UG-3, UG-8, UZK-1 – p. 215+216		



Response time T05/T09

Sensor type	ø9	ø11
Pt	≤33/≤95	≤40/≤120
J, K insulated junction	≤22/≤62	≤27/≤90
J, K grounded junction	≤3/≤8	≤6/≤15

Resistors tolerance acc. to PN-EN 60751

Class	Wire wound resistor	
	Range [°C]	Tolerance [°C]
AA	(-50÷250)	±(0,1+0,0017· t)
A	(-100÷450)	±(0,15+0,002· t)
B	(-196÷600)	±(0,3+0,005· t)

Ordering code

Temperature sensor	...	TO	...	K-851	...	-	...	-
Without transmitter														
With transmitter		no sign												
Resistor Pt				P										
Resistor Ni				N										
Perforated sheath						P								
Closed-end sheath						Z								
Resistor type									Pt100*					
Sheath length L [mm]										200*				
Resistor class													A, B*	
Measuring circuit														2, 3, 4
Type of transmitter														RT-01*
Setting of transmitter temperature														(0 ÷ 100) °C*

* or others acc. to requirements

Ordering example

TOPK-851P-Pt100-50-A-4 sensor for temperature measurement in ventilation channels, Pt100, class A, 4-wire connection, perforated sheath with length 50 mm