

Temperature transmitter is an integral element of temperature sensor, available also as a separate component. It converts temperature sensor signal to analogue 4÷20mA, voltage 0÷10V or different signal. Transmitter can be placed directly in connection head or on TS-35mm rail.

Specification

Characteristic

- universal transmitter
- mounting in connection head BA: TxBlock
- mounting on a 35 mm rail: TxRail
- sensor error correction
- configuration with a PC via TxConfig USB interface (option)
- easy parameters configuration

Input

resistance: Pt100, 3-wire
thermocouple: J, K, T, N, E, R, S, B (only TxBlock)
voltage: – 0÷50 mV

Input type	Range	Min. span
Pt100	-200÷530°C	40°C
J	0÷760°C	100°C
K	0÷1370°C	100°C
T	0÷400°C	100°C
N	0÷1300°C	400°C
E	0÷720°C	100°C
R	0÷1760°C	400°C
S	0÷1760°C	400°C
B	500÷1820°C	400°C
voltage	0÷50 mV	5 mV

Output

4÷20 mA, 0÷10V only TxRail

Accuracy

0,2% of range for Pt100 imV
0,3% of range for TC
temperature drift 0,003% span/°C

Response time

100 ms

Max. loop resistance

$$R_{l \max} = (U_{\text{supply}} - 12) / 0,02 \text{ [}\Omega\text{]}$$

Lead wire connection

< 2,5 mm²

Power supply

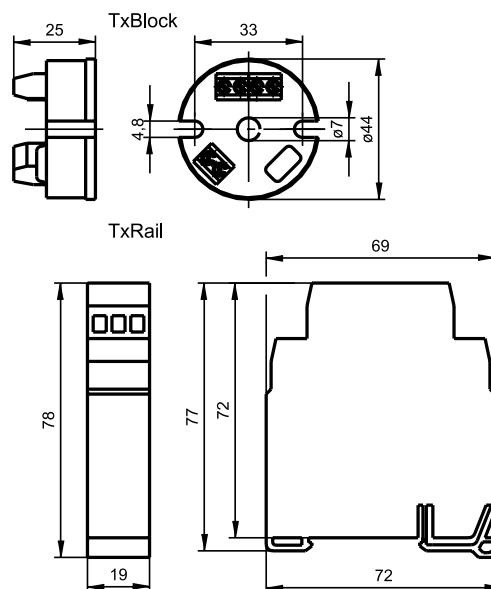
12÷35V DC

Operating conditions

temperature: -40÷85°C
humidity: up to 95% RH non-condensing

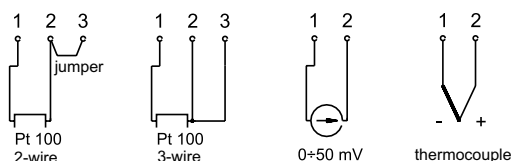


Dimensions:

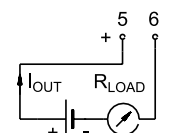


Input connections

CONNECTION SCHEMES



Output connection



Product code

		Transmitters version	
1	<input type="text"/>	Block	head mounted
		Rail	35mm rail mounted
		Temperature range	
2	<input type="text"/>	(0÷1000)°C	(0÷100)°C
			other parameters acc. to requirements
		Input type	
		Pt100	Pt100
		J	J
		K	K
		L	L
		N	N
3	<input type="text"/>	T	T
			other parameters acc. to requirements
		Equipment	
4	<input type="text"/>	A	with adapter for 35mm rail mounting for TxBLOCK

1 2 3 4

Tx - - -

Ordering example:

Transmitters TxBLOCK-(0÷100)°C-Pt100