

## ■ DATA SHEET

The ProcessX differential pressure (flow) transmitter accurately measures differential pressure, liquid level, gauge pressure or flow rate and transmits a proportional 4 to 20 mA signal.

The transmitter utilizes a unique micro machined capacitance silicon sensor with state-of-the-art microprocessor technology to provide exceptional performance and functionality.

## ■ FEATURES

- HIGH ACCURACY UP TO  $\pm 0.04\%$**   
0.065% accuracy as standard.  
Georgin's micro-capacitance silicon sensor assures this accuracy for all elevated or suppressed calibration ranges without additional adjustment. 0.04% accuracy as option.
- MINIMUM INVENTORY AND DESIGN**  
Electronics unit, local indicators and electronics housing are interchangeable among all ProcessX transmitters.
- MINIMUM ENVIRONMENTAL INFLUENCE**  
The "Advanced Floating Cell" design which protects the pressure sensor against changes in temperature, static pressure, and overpressure substantially reduces total measurement error in actual field applications.
- GEORGIN/HART® BILINGUAL COMMUNICATIONS PROTOCOL**  
ProcessX series transmitter offers bilingual communications to speak both Georgin proprietary protocol and HART®. Any HART® compatible devices can communicate with ProcessX.
- APPLICATION FLEXIBILITY**  
Various options that render the ProcessX suitable for almost any process applications include :
  - Analog indicator at either the electronics side or terminal side,
  - Full range of hazardous area approvals,
  - Built-in RFI filter and lightning arrester,
  - 5 digit LCD meter with engineering unit,
  - Stainless steel electronics housing,
  - Wide selection of materials.
- PROGRAMMABLE OUTPUT LINEARIZATION FUNCTION**  
Output signal can be freely programmable.  
(Up to 14 compensated points at approximation).
- BURNOUT CURRENT FLEXIBILITY (UNDER SCALE: 3.2 TO 4.0 MA, OVER SCALE: 20.0 TO 22.5 MA)**  
Burnout signal level is adjustable using Model FXW or Hand Held Communicator (HHC) to comply with NAMUR NE43.
- DRY CALIBRATION WITHOUT REFERENCE PRESSURE**  
Thanks to the best combination of unique construction of mechanical parts (Sensor unit) and high performance electronics circuit (Electronics unit), reliability of dry calibration without reference pressure is at equal level as wet calibration.



## ■ FUNCTIONAL SPECIFICATIONS

**Type :**  
FKC : Smart, 4-20 mA DC + Georgin/Hart® digital signal

**Service :**  
Liquid, gas, or vapour

### Static pressure, span, and range limit :

Type	Static pressure MPa {bar}	Span limit kPa {mbar}		Range limit kPa {mbar}
		Min.	Max.	
FKC□11	-0.1 to +3.2 {-1 to +32}	0.1 {1}	1 {10}	±1 {±10}
FKC□22	-0.1 to +10 {-1 to +100}	0.1 {1}	6 {60}	±6 {±60}
FKC□33	-0.1 to +16 {-1 to +160}	0.32 {3.2}	32 {320}	±32 {±320}
FKC□35	-0.1 to +16 {-1 to +160}	1.3 {13}	130 {1300}	±130 {±1300}
FKC□36	-0.1 to +16 {-1 to +160}	30 {300}	3000 {30000}	±3000 {±30000}
FKC□38	-0.1 to +16 {-1 to +160}	30 {300}	3000 {30000}	±3000 {±30000}
FKC□43	-0.1 to +42 {-1 to +420}	0.32 {3.2}	32 {320}	±32 {±320}
FKC□45	-0.1 to +42 {-1 to +420}	1.3 {13}	130 {1300}	±130 {±1300}
FKC□46	-0.1 to +42 {-1 to +420}	5 {50}	500 {5000}	±500 {±5000}
FKC□48	-0.1 to +30 {-1 to +300}	30 {300}	3000 {30000}	±3000 {±30000}
FKC□49*	-0.1 to +30 {-1 to +300}	500 {5000}	20000 {200000}	+20000,-10000 {+200000,-100000}

**Remark :**  
To minimize environmental influence, span should be greater than 1/40 of the max. span in most applications.

**\*Important :**  
For FKC#49, max possible overload pressure on LP side must be  $\leq 100$  bar. The accuracy is not guaranteed when used at negative DP.

### Lower limit of static pressure (vacuum limit) :

Silicone fill sensor : See Fig. 1  
Fluorinated fill sensor :  
66 kPa abs (500 mmHg abs) at temperature below 60°C

- **OVER RANGE LIMIT :** To maximum static pressure limit.
- **OUTPUT SIGNAL :**  
4 to 20 mA DC (linear or square root) with digital signal superimposed on the analogic signal.
- **POWER SUPPLY :**  
Transmitter operates on 10.5 V to 45 V DC at transmitter terminals.  
10.5 V to 32 V DC for the units with optional arrester.

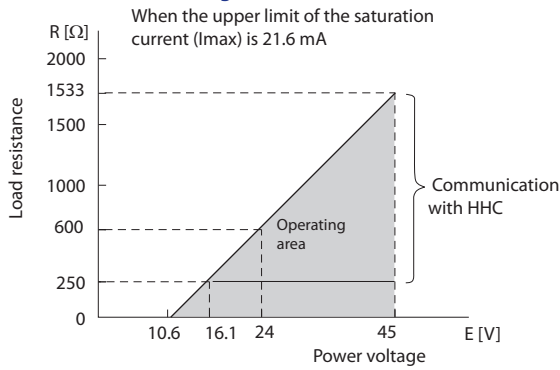


# FKC...5 Differential pressure (flow) transmitter



Safety for Industrial Process

LOAD LIMITATIONS : see figure below



Note) The load resistance varies with the upper limit of the saturation current [I max]

$$R [\Omega] = \frac{E [V] - 10.5}{(I_{max} [mA] + 0.9) \times 10^{-3}}$$

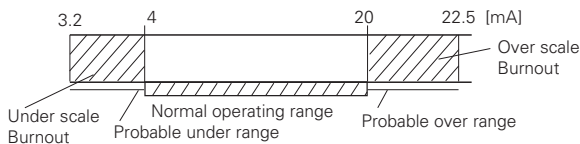
Note : For communication with HHC<sup>(1)</sup> (Model : FXW), min. of 250 W required.

HAZARDOUS LOCATIONS :

	digit 10	Explosion Proof	Installation areas	ATEX and IECEx parameters
ATEX	X	Attestation DEKRA 14ATEX0015X Ex d IIC T5/T6 Gb Ex tb IIIC T85°C/T100°C Db Ta= -40<+85°C) - T5/T100°C Ta= -40<+65°C) - T6/T85°C IP66/67 Ex II 2 GD : Group II (Surface) - Category 2GD The temperature of the cable can be Ta + 5 ° C	Zones 1-2 Zones 21-22	Model without surge arrester Ui≤45Vdc Pi≤1.0125W Model with surge protector Ui≤32Vdc Pi≤1.0125W
IECEX	R	Attestation IECEX CSA 16.0048X Ex d IIC T5/T6 Gb Ex tb IIIC T85°C/T100°C Db Ta= -40<+85°C) - T5/T100°C Ta= -40<+65°C) - T6/T85°C IP66/67		
	digit 10	Intrinsic safety	Installation areas	ATEX and IECEx parameters
ATEX	K	Attestation DEKRA 14ATEX0016X Ex ia IIC T4/T5 Ga Ex ia IIIC T100°C/T135°C Da Ta= -40<+70°C) - T4/T135°C Ta= -40<+50°C) - T5/T100°C IP66/67 Ex II 1 GD : Group II (Surface) - Category 1GD	Zones 0-1-2 Zones 20-21-22	Ui≤28Vdc Ii≤94.3mA Pi≤0.66W Model with / without surge arrester Ci=36nF / Ci=26nF Model with / without analogue indicator Li=0.7mH / Li=0.6mH
IECEX	H	Attestation IECEX CSA 16.0049X Ex ia IIC T4/T5 Ga Ex ia IIIC T100°C/T135°C Da Ta= -40<+70°C) - T4/T135°C Ta= -40<+50°C) - T5/T100°C IP66/67		
	digit 10	"n" Type	Installation areas	ATEX and IECEx parameters
ATEX	P	Ex nA IIC T5 Gc Ex tc IIIC T100°C Dc Ta= -40°C<+70°C) - T5/T100°C IP66/67 Ex II 3 GD : Group II (Surface) - Category 3GD	Zones 2 Zones 22	Model without surge arrester Ui≤45Vdc Pi≤1.0125W
IECEX	Q	Ex nA IIC T5 Gc Ex tc IIIC T100°C Dc Ta= -40°C<+70°C) - T5/T100°C IP66/67		Model with Surge Protector Ui≤32Vdc Pi≤1.0125W

Refer to the package insert for safe use.

- ZERO/SPAN ADJUSTMENT :**  
Zero and span are adjustable from the HHC<sup>(1)</sup>. Zero and span are also adjustable externally from the adjustable screw.
- DAMPING :**  
Adjustable from HHC<sup>(1)</sup> or local adjustment unit with LCD display.  
The time constant is adjustable between 0.06 to 32 sec.
- ZERO ELEVATION / SUPPRESSION :**  
-100% to +100% of URL.
- NORMAL / REVERSE ACTION :**  
Selectable from HHC<sup>(1)</sup>
- INDICATION :**  
Analog indicator or 5 digit LCD meter, as specified.  
A plug-in analog indicator can be mounted on the electronics unit or the terminal block.
- BURNOUT DIRECTION :** Selectable from HHC<sup>(1)</sup>  
If self-diagnostic detect transmitter failure, the analog signal will be driven to either "Output Hold", "Output Overscale" or "Output Underscale" modes.  
"Output Hold" :  
Output signal is hold as the value just before failure happens.  
"Output Overscale" :  
Adjustable within the range 20.0 mA to 22.5 mA from HHC<sup>(1)</sup>.  
"Output Underscale" :  
Adjustable within the range 3.2 mA to 4.0 mA from HHC<sup>(1)</sup>.  
Output limits conforming to NAMUR NE43 by order.



- LOOP-CHECK OUTPUT :**  
Transmitter can be configured to provide constant signal 3.2 mA through 22.5 mA by HHC<sup>(1)</sup>.
- TEMPERATURE LIMIT :**  
Ambient : - 40 to +85°C  
- 20 to +80°C (for LCD indicator)  
- 40 to +60°C (for arrester option)  
- 10 to +60°C (for fluorinated oil filled transmitters)  
For explosion proof units (flameproof or intrinsic safety), ambient temperature must be within the limits specified in each standard.  
Process : - 40 to +120°C for silicone fill sensor  
- 20 to +80°C for fluorinated oil fill sensor  
Storage : - 40 to +90°C
- HUMIDITY :** 0 to 100% RH (Relative Humidity)
- COMMUNICATION :**  
With HHC<sup>(1)</sup> (Model FXW, consult data sheet N° EDS8-47), following items can be remotely displayed or configured.  
Note : HHC's version must be higher than 7.0.  
(or FXW □□□□1-□4) for ProcessX. for supporting these items : "Saturate current", "Write protect", and "History".

Items	Georgin Protocol with le FXW		Hart® Protocol		By local configurator (with 3 push button), (LCD indicator)	
	Affich.	Régl.	Affich.	Régl.	Affich.	Régl.
Tag No.	v	v	v	v	v	v
Model No.	v	v	v	v	v	v
Serial No. & Software Version	v	—	v	—	v	—
Engineering unit	v	v	v	v	v	v
Range limit	v	—	v	—	v	—
Measuring range	v	v	v	v	v	v
Damping	v	v	v	v	v	v
Output mode	Linear	v	v	v	v	v
	Square root	v	v	v	v	v
Burnout direction	v	v	v	v	v	v
Calibration	v	v	v	v	v	v
Output adjust	—	v	—	v	—	v
Data	v	—	v	—	v	—
Self diagnoses	v	—	v	—	v	—
Printer (In case of FXW with printer option)	v	—	—	—	—	—
External switch lock	v	v	v	v	v	—
Transmitter display	v	v	v	v	v	—
Linearize*	v	v	—	—	—	—
Rerange	v	v	v	v	v	v
Saturate current	v	v	v	v	v	v
Write protect	v	v	v	v	v	v
History	— Calibration history	v	v	v	v	v
	— Ambient temperature history	v	—	v	—	v

(Note) (1) HHC : Hand Held Communicator

- \*LOCAL CONFIGURATOR WITH LCD DISPLAY (OPTION) :**  
Local configurator with 3 push button and LCD display can support all items including model No change (Georgin Protocol list) except "Linearize" function.
- PROGRAMMABLE OUTPUT LINEARIZATION FUNCTION :**  
Output signal can be characterized with "14 points linear approximation function" from HHC<sup>(1)</sup>.

**PERFORMANCE SPECIFICATIONS FOR LINEAR OUTPUT**

Reference conditions, silicone oil fill, SS 316L isolating diaphragms, 4 to 20 mA analog output in linear mode.

- ACCURACY RATING :**  
(including linearity, hysteresis, and repeatability)

**Max span : 32 kPa to 3000 kPa model :**

For spans greater than 1/10 of URL :  
±0.065% of span or ±0.04% of span (optional)  
For spans below 1/10 of URL :

$$\pm \left( 0.015 + 0.05 \frac{0.1 \times \text{URL}}{\text{Span}} \right) \% \text{ of span}$$

**Max span 20 MPa models :**

For spans ≥ 5 MPa :  
±0.1% of span  
For spans < 5 MPa :

$$\pm \left( 0.05 + 0.05 \frac{5 \text{ MPa}}{\text{Span}} \right) \% \text{ of span}$$



# FKC...5 Differential pressure (flow) transmitter



Safety for Industrial Process



## Max span 1 kPa, 6 kPa models :

For spans greater than 1/10 of URL :  
±0.1% of span

For spans below 1/10 of URL :

$$\pm \left( 0.05 + 0.05 \frac{0.1 \times \text{URL}}{\text{Span}} \right) \% \text{ of span}$$

### ■ STABILITY :

±0.1% of upper range limit (URL) for 10 years for 6th digit code 3, 5, 6, 8 and 9.

### ■ TEMPERATURE EFFECT :

Effects per 28°C change between the limits of -40°C and +85°C

Range code (6th digit in code symbols)	Zero shift (% of span)	Total effect (% of span)
"1"/1 kPa {10 mbar} "2"/6 kPa {60 mbar}	$\pm(0.125 + 0.1 \frac{\text{URL}}{\text{Span}}) \%$	$\pm(0.15 + 0.1 \frac{\text{URL}}{\text{Span}}) \%$
"3"/32 kPa {320 mbar} "5"/130 kPa {1300 mbar} "6"/500 kPa {5000 mbar} "8"/3000 kPa {30000 mbar} "9"/20000 kPa {200000 mbar}	$\pm(0.075 + 0.0125 \frac{\text{URL}}{\text{Span}}) \%$	$\pm(0.095 + 0.0125 \frac{\text{URL}}{\text{Span}}) \%$

Double the effects for material code (7th digit in codes symbols) "H", "M", "T"

### ■ STATIC PRESSURE EFFECT :

Static pressure code (5th digit in Code symbols)	Zero shift (% of URL)
"1" / 1 kPa {10 mbar} sensor "2" / 6 kPa {60 mbar} sensor	±0.2% / 3.2 MPa {32 bar} ±0.2% / 10 MPa {100 bar}
"3" "4"	±0.035% / 6.9 MPa {69 bar} ±0.2% / 6.9 MPa {69 bar} FKCI49

Double the effects for material code (7th digit in codes symbols) "H", "M", "T"

### ■ OVERRANGE EFFECT :

Static pressure code (5th digit in Code symbols)	Zero shift (% of URL)
"1" / 1 kPa {10 mbar} sensor "2" / 6 kPa {60 mbar} sensor	±0.2% / 3.2 MPa {32 bar} ±0.2% / 10 MPa {100 bar}
"3" "3" "4" "4"	±0.1% / 16 MPa {160 bar} FKCI35, 36, 38 ±0.15% / 16 MPa {160 bar} FKCI33 ±0.25% / 42 MPa {420 bar} FKCI43, 45, 46, 48 ±0.2% / 10 MPa {100 bar} FKCI49

Double the effects for material code (7th digit in codes symbols) "H", "M", "T"

## ■ PERFORMANCE SPECIFICATIONS FOR SQUARE ROOT OUTPUT

### ■ ACCURACY RATING :

Output	Span	
	Over 0.1 × URL	Below 0.1 × URL
50 to 100%	±0.065%	±(0.015+0.05 × 0.1 × URL/Span) %
20 to 50%	±0.163%	±2.5 × (0.015+0.05 × 0.1 × URL/Span) %
10 to 20%	±0.325%	±5 × (0.015+0.05 × 0.1 × URL/Span) %

### ■ MAX SPAN 1 kPA, 6 kPA MODEL :

Output	Accuracy
50 to 100%	±0.1%
20 to 50%	±0.25%
10 to 20%	±0.5%

### ■ TEMPERATURE EFFECT :

Effects per 28°C change between the limits of -40°C and +85°C

Range code	Shift at 20% output point
"1" et "2"	$\pm (0.375 + 0.25 \frac{\text{URL}}{\text{Span}}) \% / 28^\circ\text{C}$
"3" à "9"	$\pm (0.24 + 0.03125 \frac{\text{URL}}{\text{Span}}) \% / 28^\circ\text{C}$

### ■ LOW FLOW CUT-OFF :

The output signal is proportional to  $\sqrt{\text{differential pressure}}$  between low flow cut-off and the measuring range. Between zero and low flow cut-off, the output signal is programmable to zero or linear between 0 and 20% of the flow.

## ■ PERFORMANCE SPECIFICATIONS COMMON FOR BOTH OUTPUT MODES

### ■ SUPPLY VOLTAGE EFFECT :

Less than 0.05% of calibrated span per 10 V

### ■ UPDATE RATE : 60 msec

### ■ RFI EFFECT :

< 0,2% of URL for the frequencies of 20 to 1000 MHz and field strength of 10 V/m when electronic housing covers are on (Classification : 2-abc : 0,2% of span according SAMA PMC 33.1)

### ■ RESPONSE TIME : (63,3% of output signal without damping)

Range code (6th digit in code symbols)	Time constant (at 23°C)	Dead time
"1"	0.33 sec.	0.12 sec.
"2"	0.3 sec.	
"3"	0.12 sec.	
"5" through "8"	0.08 sec.	

Response time = time constant + dead time

### ■ MOUNTING POSITION EFFECT :

Zero shift, less than 0.12 kPa {1.2 m bar} for a 10° tilt in any plane. This error can be corrected by adjusting Zero. (Double the effect for fluorinated fill sensor).

No effect on span.

### ■ VIBRATION EFFECT :

< ±0,25% of span for spans greater than 1/10 of URL. Frequency 10 to 150 Hz, acceleration 39,2 m/sec<sup>2</sup>.

### ■ MATERIAL FATIGUE : Please consult GeorGIN

### ■ DIELECTRIC STRENGTH :

500 V AC, 50/60Hz 1 min., between circuit and earth.

### ■ INSULATION RESISTANCE :

More than 100 MW at 500 V DC.

### ■ INTERNAL RESISTANCE FOR EXTERNAL FIELD INDICATOR :

12 Ω max. (connected to test terminal CK+ and CK-)

### ■ PRESSURE EQUIPMENT DIRECTIVE (PED) 97/23/EC

Digit 5 code 1, 2, 3, 8 and 9 according to Article 3.3

Digit 5 code 4 : Category III module H1.

## ■ PHYSICAL SPECIFICATIONS

- **ELECTRICAL CONNECTIONS :** 1/2"-14 NPT, Pg 13.5 or M 20 × 1.5
- **PROCESS CONNECTIONS :**  
1/4"-18 NPT meets DIN 19213.  
Option : 1/2"-14 NPT for oval flanges
- **PROCESS-WETTED PARTS MATERIAL :**

Material code (7th digit)	Process cover	Diaphragm	Wetted sensor body	Vent/drain	
V	Ranges 1 & 2	SS 316L	SS 316L	Inox 318 LN	SS 316L
	Ranges 3 & 8	SS 316L	SS 316L	SS 316L	SS 316L
W	SS 316L	Hastelloy-C	SS 316L	SS 316L	
H	SS 316L	Hastelloy-C	Hastelloy-C	SS 316L	
J	SS 316L	SS 316L + Gold coating	SS 316L	SS 316L	
M	SS 316L	Monel	Monel lining	SS 316L	
T	SS 316L	Tantalum	Tantalum lining	SS 316L	

**Remark :**

Gasket : Viton o-ring or PTFE square section gasket.  
Availability of above material design depends on ranges and static pressure according material codes V, H, M and T.  
Refer to "Code symbols".

■ **NON-WETTED PARTS MATERIAL :**

**Electronics housing :** Low copper die-cast aluminum alloy finished with polyester coating (standard), or SS 316 as specified.

**Bolts and nuts :** Cr-Mo alloy (standard)

**Options :** SS 316 (L) for static pressure if 160 bar max  
SS 660 (M10) for static pressure < 160 bar  
SS 660 (M12) for static pressure > 160 bar

**Fill fluid :** Silicone oil (standard) or fluorinated oil (option)

**Mounting bracket :** SS 304L or 316L (option).

- **ENVIRONMENTAL PROTECTION :**  
IEC IP66/67 and NEMA 4X

■ **MOUNTING :**

**Without mounting bracket :** direct mounting on manifold (optional)

**With optional mounting bracket :** for 50 mm (2") pipe or direct wall mounting.

■ **MASS {WEIGHT} :**

Transmitter approximately 3.5 kg without options

**Add :** 0,3 kg for indicator

0.5 kg for mounting bracket

2 kg for stainless steel housing (option)

## ■ ACCESSORIES

■ **OVAL FLANGES :**

Converts process connection to 1/2"-14 NPT.

■ **MANIFOLDS :**

Available in SS 316 and in pressure rating 16 MPa or 42 MPa.

■ **HAND HELD COMMUNICATOR :**

(FXW model, refer to datasheet N° EDS8-47).

## ■ OPTIONAL FEATURES

■ **INDICATOR :**

A plug-in analog indicator (2.5% accuracy) can be housed in the electronics compartment or in the terminal box of the housing.

An optional 5 digit LCD meter with engineering unit is also available.

■ **LOCAL CONFIGURATOR WITH LCD DISPLAY :**

An optional 5 digits LCD meter with 3 push buttons can support items without using communication with HHC<sup>(1)</sup>.

■ **ARRESTER :**

A built-in arrester protects the electronics from lightning surges.

Lightning surge immunity : 4 kV (1.2 × 50 μs)

■ **OXYGEN SERVICE :**

Special cleaning procedures are followed throughout the process to maintain all process wetted parts oil free. The fill fluid is fluorinated oil.

■ **CHLORINE SERVICE :**

The fill fluid is fluorinated oil. Same procedure and same fill fluid that above.

■ **DEGREASING :**

Process-wetted parts are cleaned, but the fill fluid is standard silicone oil. Not for use on oxygen or chlorine measurement.

■ **NACE SPECIFICATION :**

Metallic materials for all pressure boundary parts comply with NACE MR 0175/ISO 15156.

SS 660 or SS 660/660 bolts and nuts comply with NACE MR 0175/ISO 15156.

■ **OPTIONAL TAG PLATE :**

An extra stainless steel tag with customer tag data is wired to the transmitter.



# FKC...5 Differential pressure (flow) transmitter



Safety for Industrial Process

## CODE SYMBOLS

1		2		3		4		5		6		7		8		9		10		11		12		13		14		15		16																																																																																																																																																																																																																	
																														DESCRIPTION																																																																																																																																																																																																																	
F		K		C																										<b>Type</b> Smart, 4-20 mADC + GeorGIN/Hart® digital signal																																																																																																																																																																																																																	
																														<b>Connections</b> <table border="1"> <thead> <tr> <th>Process connections</th> <th>Oval flange connection</th> <th>Electrical connection</th> </tr> </thead> <tbody> <tr> <td>(*9) 1/4"-18 NPT</td> <td>M10</td> <td>M20 x 1,5</td> </tr> <tr> <td>(*9) 1/4"-18 NPT</td> <td>M10</td> <td>Pg 13,5</td> </tr> <tr> <td>(*9) 1/4"-18 NPT</td> <td>M10</td> <td>1/2"-14 NPT</td> </tr> <tr> <td>(*8) 1/4"-18 NPT</td> <td>7/16"-20 UNF</td> <td>M20 x 1,5</td> </tr> <tr> <td>(*8) 1/4"-18 NPT</td> <td>7/16"-20 UNF</td> <td>1/2"-14 NPT</td> </tr> <tr> <td>(*1) 1/4"-18 NPT</td> <td>M10 or M12 (*1)</td> <td>Pg 13,5</td> </tr> <tr> <td>(*1) 1/4"-18 NPT</td> <td>M10 or M12 (*1)</td> <td>M20 x 1,5</td> </tr> <tr> <td>(*8) 1/4"-18 NPT</td> <td>7/16"-20 UNF</td> <td>Pg 13,5</td> </tr> </tbody> </table>		Process connections	Oval flange connection	Electrical connection	(*9) 1/4"-18 NPT	M10	M20 x 1,5	(*9) 1/4"-18 NPT	M10	Pg 13,5	(*9) 1/4"-18 NPT	M10	1/2"-14 NPT	(*8) 1/4"-18 NPT	7/16"-20 UNF	M20 x 1,5	(*8) 1/4"-18 NPT	7/16"-20 UNF	1/2"-14 NPT	(*1) 1/4"-18 NPT	M10 or M12 (*1)	Pg 13,5	(*1) 1/4"-18 NPT	M10 or M12 (*1)	M20 x 1,5	(*8) 1/4"-18 NPT	7/16"-20 UNF	Pg 13,5																																																																																																																																																																																					
Process connections	Oval flange connection	Electrical connection																																																																																																																																																																																																																																													
(*9) 1/4"-18 NPT	M10	M20 x 1,5																																																																																																																																																																																																																																													
(*9) 1/4"-18 NPT	M10	Pg 13,5																																																																																																																																																																																																																																													
(*9) 1/4"-18 NPT	M10	1/2"-14 NPT																																																																																																																																																																																																																																													
(*8) 1/4"-18 NPT	7/16"-20 UNF	M20 x 1,5																																																																																																																																																																																																																																													
(*8) 1/4"-18 NPT	7/16"-20 UNF	1/2"-14 NPT																																																																																																																																																																																																																																													
(*1) 1/4"-18 NPT	M10 or M12 (*1)	Pg 13,5																																																																																																																																																																																																																																													
(*1) 1/4"-18 NPT	M10 or M12 (*1)	M20 x 1,5																																																																																																																																																																																																																																													
(*8) 1/4"-18 NPT	7/16"-20 UNF	Pg 13,5																																																																																																																																																																																																																																													
																														<b>Range &amp; wetted parts material</b> <table border="1"> <thead> <tr> <th rowspan="2">Static pressure limits</th> <th rowspan="2">Spans (*2)</th> <th colspan="2">Process - cover</th> <th rowspan="2">Measuring diaphragm</th> <th rowspan="2">Wetted cell body</th> </tr> <tr> <th>LP side</th> <th>HP - side</th> </tr> </thead> <tbody> <tr> <td rowspan="2">-1 to 32 bar</td> <td rowspan="2">10/100 mm WC</td> <td>SS 316L</td> <td>SS 316L</td> <td>SS 316L</td> <td>SS 318LN</td> </tr> <tr> <td>SS 316L</td> <td>SS 316L</td> <td>Hastelloy C</td> <td>SS 318LN</td> </tr> <tr> <td rowspan="2">100 bar</td> <td rowspan="2">mm WC</td> <td>SS 316L</td> <td>SS 316L</td> <td>Hastelloy C</td> <td>SS 318LN</td> </tr> <tr> <td>SS 316L</td> <td>SS 316L</td> <td>Hastelloy C</td> <td>SS 318LN</td> </tr> <tr> <td rowspan="12">-1 to 160 bar (*3)</td> <td rowspan="4">32 /3200 mm WC</td> <td>SS 316L</td> <td>SS 316L</td> <td>SS 316L</td> <td>SS 316L</td> </tr> <tr> <td>SS 316L</td> <td>SS 316L</td> <td>Hastelloy C</td> <td>SS 316L</td> </tr> <tr> <td>SS 316L</td> <td>SS 316L</td> <td>Hastelloy C</td> <td>Hastelloy C</td> </tr> <tr> <td>SS 316L</td> <td>SS 316L</td> <td>Monel</td> <td>Monel lining</td> </tr> <tr> <td rowspan="4">0,13 /13 m WC</td> <td rowspan="4">160 bar (*3)</td> <td>SS 316L</td> <td>SS 316L</td> <td>Gold/ceramic</td> <td>Gold/ceramic</td> </tr> <tr> <td>SS 316L</td> <td>SS 316L</td> <td>Tantalum</td> <td>Tantalum lining</td> </tr> <tr> <td>SS 316L</td> <td>SS 316L</td> <td>SS 316L</td> <td>SS 316L</td> </tr> <tr> <td>SS 316L</td> <td>SS 316L</td> <td>Hastelloy C</td> <td>SS 316L</td> </tr> <tr> <td rowspan="4">0,5/50 m WC</td> <td rowspan="4">3/300 m WC</td> <td>SS 316L</td> <td>SS 316L</td> <td>Hastelloy C</td> <td>Hastelloy C</td> </tr> <tr> <td>SS 316L</td> <td>SS 316L</td> <td>Hastelloy C</td> <td>Hastelloy C</td> </tr> <tr> <td>SS 316L</td> <td>SS 316L</td> <td>Gold coat</td> <td>SS 316L</td> </tr> <tr> <td>SS 316L</td> <td>SS 316L</td> <td>Monel</td> <td>Monel lining</td> </tr> <tr> <td rowspan="6">-1 to 300 bar</td> <td rowspan="6">50/2000 m WC</td> <td>SS 316L</td> <td>SS 316L</td> <td>Tantalum</td> <td>Tantalum lining</td> </tr> <tr> <td>SS 316L</td> <td>SS 316L</td> <td>SS 316L</td> <td>SS 316L</td> </tr> <tr> <td>SS 316L</td> <td>SS 316L</td> <td>Hastelloy C</td> <td>SS 316L</td> </tr> <tr> <td>SS 316L</td> <td>SS 316L</td> <td>Hastelloy C</td> <td>SS 316L</td> </tr> <tr> <td>SS 316L</td> <td>SS 316L</td> <td>Gold coat</td> <td>SS 316L</td> </tr> <tr> <td>SS 316L</td> <td>SS 316L</td> <td>Gold coat</td> <td>SS 316L</td> </tr> <tr> <td rowspan="12">0 to 15 bar</td> <td rowspan="12">10/100 mm WC</td> <td>PVDF Insert</td> <td>PVDF Insert</td> <td>Hastelloy C</td> <td>Hastelloy C</td> </tr> <tr> <td>PVDF Insert</td> <td>PVDF Insert</td> <td>Hastelloy C</td> <td>Hastelloy C</td> </tr> <tr> <td>PVDF Insert</td> <td>PVDF Insert</td> <td>Hastelloy C</td> <td>Hastelloy C</td> </tr> <tr> <td>PVDF Insert</td> <td>PVDF Insert</td> <td>Monel</td> <td>Monel lining</td> </tr> <tr> <td>PVDF Insert</td> <td>PVDF Insert</td> <td>Tantalum</td> <td>Tantalum lining</td> </tr> <tr> <td>PVDF Insert</td> <td>PVDF Insert</td> <td>Hastelloy C</td> <td>Hastelloy C</td> </tr> <tr> <td>PVDF Insert</td> <td>PVDF Insert</td> <td>Monel</td> <td>Monel lining</td> </tr> <tr> <td>PVDF Insert</td> <td>PVDF Insert</td> <td>Tantalum</td> <td>Tantalum lining</td> </tr> <tr> <td>PVDF Insert</td> <td>PVDF Insert</td> <td>Hastelloy C</td> <td>Hastelloy C</td> </tr> <tr> <td>PVDF Insert</td> <td>PVDF Insert</td> <td>Monel</td> <td>Monel lining</td> </tr> <tr> <td>PVDF Insert</td> <td>PVDF Insert</td> <td>Tantalum</td> <td>Tantalum lining</td> </tr> <tr> <td>PVDF Insert</td> <td>PVDF Insert</td> <td>Tantalum</td> <td>Tantalum lining</td> </tr> <tr> <td rowspan="12">0 to 15 bar</td> <td rowspan="12">10/600 mm WC</td> <td>PVDF Insert</td> <td>PVDF Insert</td> <td>Hastelloy C</td> <td>Hastelloy C</td> </tr> <tr> <td>PVDF Insert</td> <td>PVDF Insert</td> <td>Hastelloy C</td> <td>Hastelloy C</td> </tr> <tr> <td>PVDF Insert</td> <td>PVDF Insert</td> <td>Hastelloy C</td> <td>Hastelloy C</td> </tr> <tr> <td>PVDF Insert</td> <td>PVDF Insert</td> <td>Monel</td> <td>Monel lining</td> </tr> <tr> <td>PVDF Insert</td> <td>PVDF Insert</td> <td>Tantalum</td> <td>Tantalum lining</td> </tr> <tr> <td>PVDF Insert</td> <td>PVDF Insert</td> <td>Hastelloy C</td> <td>Hastelloy C</td> </tr> <tr> <td>PVDF Insert</td> <td>PVDF Insert</td> <td>Monel</td> <td>Monel lining</td> </tr> <tr> <td>PVDF Insert</td> <td>PVDF Insert</td> <td>Tantalum</td> <td>Tantalum lining</td> </tr> <tr> <td>PVDF Insert</td> <td>PVDF Insert</td> <td>Hastelloy C</td> <td>Hastelloy C</td> </tr> <tr> <td>PVDF Insert</td> <td>PVDF Insert</td> <td>Monel</td> <td>Monel lining</td> </tr> <tr> <td>PVDF Insert</td> <td>PVDF Insert</td> <td>Tantalum</td> <td>Tantalum lining</td> </tr> <tr> <td>PVDF Insert</td> <td>PVDF Insert</td> <td>Tantalum</td> <td>Tantalum lining</td> </tr> </tbody> </table>		Static pressure limits	Spans (*2)	Process - cover		Measuring diaphragm	Wetted cell body	LP side	HP - side	-1 to 32 bar	10/100 mm WC	SS 316L	SS 316L	SS 316L	SS 318LN	SS 316L	SS 316L	Hastelloy C	SS 318LN	100 bar	mm WC	SS 316L	SS 316L	Hastelloy C	SS 318LN	SS 316L	SS 316L	Hastelloy C	SS 318LN	-1 to 160 bar (*3)	32 /3200 mm WC	SS 316L	SS 316L	SS 316L	SS 316L	SS 316L	SS 316L	Hastelloy C	SS 316L	SS 316L	SS 316L	Hastelloy C	Hastelloy C	SS 316L	SS 316L	Monel	Monel lining	0,13 /13 m WC	160 bar (*3)	SS 316L	SS 316L	Gold/ceramic	Gold/ceramic	SS 316L	SS 316L	Tantalum	Tantalum lining	SS 316L	SS 316L	SS 316L	SS 316L	SS 316L	SS 316L	Hastelloy C	SS 316L	0,5/50 m WC	3/300 m WC	SS 316L	SS 316L	Hastelloy C	Hastelloy C	SS 316L	SS 316L	Hastelloy C	Hastelloy C	SS 316L	SS 316L	Gold coat	SS 316L	SS 316L	SS 316L	Monel	Monel lining	-1 to 300 bar	50/2000 m WC	SS 316L	SS 316L	Tantalum	Tantalum lining	SS 316L	SS 316L	SS 316L	SS 316L	SS 316L	SS 316L	Hastelloy C	SS 316L	SS 316L	SS 316L	Hastelloy C	SS 316L	SS 316L	SS 316L	Gold coat	SS 316L	SS 316L	SS 316L	Gold coat	SS 316L	0 to 15 bar	10/100 mm WC	PVDF Insert	PVDF Insert	Hastelloy C	Hastelloy C	PVDF Insert	PVDF Insert	Hastelloy C	Hastelloy C	PVDF Insert	PVDF Insert	Hastelloy C	Hastelloy C	PVDF Insert	PVDF Insert	Monel	Monel lining	PVDF Insert	PVDF Insert	Tantalum	Tantalum lining	PVDF Insert	PVDF Insert	Hastelloy C	Hastelloy C	PVDF Insert	PVDF Insert	Monel	Monel lining	PVDF Insert	PVDF Insert	Tantalum	Tantalum lining	PVDF Insert	PVDF Insert	Hastelloy C	Hastelloy C	PVDF Insert	PVDF Insert	Monel	Monel lining	PVDF Insert	PVDF Insert	Tantalum	Tantalum lining	PVDF Insert	PVDF Insert	Tantalum	Tantalum lining	0 to 15 bar	10/600 mm WC	PVDF Insert	PVDF Insert	Hastelloy C	Hastelloy C	PVDF Insert	PVDF Insert	Hastelloy C	Hastelloy C	PVDF Insert	PVDF Insert	Hastelloy C	Hastelloy C	PVDF Insert	PVDF Insert	Monel	Monel lining	PVDF Insert	PVDF Insert	Tantalum	Tantalum lining	PVDF Insert	PVDF Insert	Hastelloy C	Hastelloy C	PVDF Insert	PVDF Insert	Monel	Monel lining	PVDF Insert	PVDF Insert	Tantalum	Tantalum lining	PVDF Insert	PVDF Insert	Hastelloy C	Hastelloy C	PVDF Insert	PVDF Insert	Monel	Monel lining	PVDF Insert	PVDF Insert	Tantalum	Tantalum lining	PVDF Insert	PVDF Insert	Tantalum	Tantalum lining
Static pressure limits	Spans (*2)	Process - cover		Measuring diaphragm	Wetted cell body																																																																																																																																																																																																																																										
		LP side	HP - side																																																																																																																																																																																																																																												
-1 to 32 bar	10/100 mm WC	SS 316L	SS 316L	SS 316L	SS 318LN																																																																																																																																																																																																																																										
		SS 316L	SS 316L	Hastelloy C	SS 318LN																																																																																																																																																																																																																																										
100 bar	mm WC	SS 316L	SS 316L	Hastelloy C	SS 318LN																																																																																																																																																																																																																																										
		SS 316L	SS 316L	Hastelloy C	SS 318LN																																																																																																																																																																																																																																										
-1 to 160 bar (*3)	32 /3200 mm WC	SS 316L	SS 316L	SS 316L	SS 316L																																																																																																																																																																																																																																										
		SS 316L	SS 316L	Hastelloy C	SS 316L																																																																																																																																																																																																																																										
		SS 316L	SS 316L	Hastelloy C	Hastelloy C																																																																																																																																																																																																																																										
		SS 316L	SS 316L	Monel	Monel lining																																																																																																																																																																																																																																										
	0,13 /13 m WC	160 bar (*3)	SS 316L	SS 316L	Gold/ceramic	Gold/ceramic																																																																																																																																																																																																																																									
			SS 316L	SS 316L	Tantalum	Tantalum lining																																																																																																																																																																																																																																									
			SS 316L	SS 316L	SS 316L	SS 316L																																																																																																																																																																																																																																									
			SS 316L	SS 316L	Hastelloy C	SS 316L																																																																																																																																																																																																																																									
	0,5/50 m WC	3/300 m WC	SS 316L	SS 316L	Hastelloy C	Hastelloy C																																																																																																																																																																																																																																									
			SS 316L	SS 316L	Hastelloy C	Hastelloy C																																																																																																																																																																																																																																									
			SS 316L	SS 316L	Gold coat	SS 316L																																																																																																																																																																																																																																									
			SS 316L	SS 316L	Monel	Monel lining																																																																																																																																																																																																																																									
-1 to 300 bar	50/2000 m WC	SS 316L	SS 316L	Tantalum	Tantalum lining																																																																																																																																																																																																																																										
		SS 316L	SS 316L	SS 316L	SS 316L																																																																																																																																																																																																																																										
		SS 316L	SS 316L	Hastelloy C	SS 316L																																																																																																																																																																																																																																										
		SS 316L	SS 316L	Hastelloy C	SS 316L																																																																																																																																																																																																																																										
		SS 316L	SS 316L	Gold coat	SS 316L																																																																																																																																																																																																																																										
		SS 316L	SS 316L	Gold coat	SS 316L																																																																																																																																																																																																																																										
0 to 15 bar	10/100 mm WC	PVDF Insert	PVDF Insert	Hastelloy C	Hastelloy C																																																																																																																																																																																																																																										
		PVDF Insert	PVDF Insert	Hastelloy C	Hastelloy C																																																																																																																																																																																																																																										
		PVDF Insert	PVDF Insert	Hastelloy C	Hastelloy C																																																																																																																																																																																																																																										
		PVDF Insert	PVDF Insert	Monel	Monel lining																																																																																																																																																																																																																																										
		PVDF Insert	PVDF Insert	Tantalum	Tantalum lining																																																																																																																																																																																																																																										
		PVDF Insert	PVDF Insert	Hastelloy C	Hastelloy C																																																																																																																																																																																																																																										
		PVDF Insert	PVDF Insert	Monel	Monel lining																																																																																																																																																																																																																																										
		PVDF Insert	PVDF Insert	Tantalum	Tantalum lining																																																																																																																																																																																																																																										
		PVDF Insert	PVDF Insert	Hastelloy C	Hastelloy C																																																																																																																																																																																																																																										
		PVDF Insert	PVDF Insert	Monel	Monel lining																																																																																																																																																																																																																																										
		PVDF Insert	PVDF Insert	Tantalum	Tantalum lining																																																																																																																																																																																																																																										
		PVDF Insert	PVDF Insert	Tantalum	Tantalum lining																																																																																																																																																																																																																																										
0 to 15 bar	10/600 mm WC	PVDF Insert	PVDF Insert	Hastelloy C	Hastelloy C																																																																																																																																																																																																																																										
		PVDF Insert	PVDF Insert	Hastelloy C	Hastelloy C																																																																																																																																																																																																																																										
		PVDF Insert	PVDF Insert	Hastelloy C	Hastelloy C																																																																																																																																																																																																																																										
		PVDF Insert	PVDF Insert	Monel	Monel lining																																																																																																																																																																																																																																										
		PVDF Insert	PVDF Insert	Tantalum	Tantalum lining																																																																																																																																																																																																																																										
		PVDF Insert	PVDF Insert	Hastelloy C	Hastelloy C																																																																																																																																																																																																																																										
		PVDF Insert	PVDF Insert	Monel	Monel lining																																																																																																																																																																																																																																										
		PVDF Insert	PVDF Insert	Tantalum	Tantalum lining																																																																																																																																																																																																																																										
		PVDF Insert	PVDF Insert	Hastelloy C	Hastelloy C																																																																																																																																																																																																																																										
		PVDF Insert	PVDF Insert	Monel	Monel lining																																																																																																																																																																																																																																										
		PVDF Insert	PVDF Insert	Tantalum	Tantalum lining																																																																																																																																																																																																																																										
		PVDF Insert	PVDF Insert	Tantalum	Tantalum lining																																																																																																																																																																																																																																										

1		2		3		4		5		6		7		8		9		10		11		12		13		14		15		16		DESCRIPTION																																																																						
F	K	C																																																																																																				
					5																											<b>Indicator &amp; Arrestor</b>																																																																						
																																<table border="1"> <thead> <tr> <th>Indicator</th> <th>Arrestor</th> <th>Initial setting</th> </tr> </thead> <tbody> <tr><td>None</td><td>None</td><td></td></tr> <tr><td>Analog, 0-100% linear scale</td><td>None</td><td></td></tr> <tr><td>Analog, 0-100% √ scale</td><td>None</td><td>4-20 mA DC</td></tr> <tr><td>Analog, Custom scale</td><td>None</td><td></td></tr> <tr><td>Analog, double scale</td><td>None</td><td></td></tr> <tr><td>None</td><td>Yes</td><td>+</td></tr> <tr><td>Analog, 0-100% linear scale</td><td>Yes</td><td></td></tr> <tr><td>Analog, 0-100% √ scale</td><td>Yes</td><td>Hart® / Georgin</td></tr> <tr><td>Analog, Custom scale</td><td>Yes</td><td>digital signal</td></tr> <tr><td>Analog, double scale</td><td>Yes</td><td>"SMART"</td></tr> <tr><td>Digital, 0-100%</td><td>None</td><td></td></tr> <tr><td>Digital, Custom scale</td><td>None</td><td></td></tr> <tr><td>Digital, 0-100% √ scale</td><td>None</td><td></td></tr> <tr><td>Digital, 0-100%</td><td>Yes</td><td></td></tr> <tr><td>Digital, Custom scale</td><td>Yes</td><td></td></tr> <tr><td>Digital, 0-100% √ scale</td><td>Yes</td><td></td></tr> <tr><td>Digital, 0-100% with push button</td><td>None</td><td></td></tr> <tr><td>Digital, Custom scale with push button</td><td>None</td><td></td></tr> <tr><td>Digital, 0-100% √ scale with push button</td><td>None</td><td></td></tr> <tr><td>Digital, 0-100% with push button</td><td>Yes</td><td></td></tr> <tr><td>Digital, Custom scale with push button</td><td>Yes</td><td></td></tr> <tr><td>Digital, 0-100% √ scale with push button</td><td>Yes</td><td></td></tr> </tbody> </table>		Indicator	Arrestor	Initial setting	None	None		Analog, 0-100% linear scale	None		Analog, 0-100% √ scale	None	4-20 mA DC	Analog, Custom scale	None		Analog, double scale	None		None	Yes	+	Analog, 0-100% linear scale	Yes		Analog, 0-100% √ scale	Yes	Hart® / Georgin	Analog, Custom scale	Yes	digital signal	Analog, double scale	Yes	"SMART"	Digital, 0-100%	None		Digital, Custom scale	None		Digital, 0-100% √ scale	None		Digital, 0-100%	Yes		Digital, Custom scale	Yes		Digital, 0-100% √ scale	Yes		Digital, 0-100% with push button	None		Digital, Custom scale with push button	None		Digital, 0-100% √ scale with push button	None		Digital, 0-100% with push button	Yes		Digital, Custom scale with push button	Yes		Digital, 0-100% √ scale with push button	Yes	
Indicator	Arrestor	Initial setting																																																																																																				
None	None																																																																																																					
Analog, 0-100% linear scale	None																																																																																																					
Analog, 0-100% √ scale	None	4-20 mA DC																																																																																																				
Analog, Custom scale	None																																																																																																					
Analog, double scale	None																																																																																																					
None	Yes	+																																																																																																				
Analog, 0-100% linear scale	Yes																																																																																																					
Analog, 0-100% √ scale	Yes	Hart® / Georgin																																																																																																				
Analog, Custom scale	Yes	digital signal																																																																																																				
Analog, double scale	Yes	"SMART"																																																																																																				
Digital, 0-100%	None																																																																																																					
Digital, Custom scale	None																																																																																																					
Digital, 0-100% √ scale	None																																																																																																					
Digital, 0-100%	Yes																																																																																																					
Digital, Custom scale	Yes																																																																																																					
Digital, 0-100% √ scale	Yes																																																																																																					
Digital, 0-100% with push button	None																																																																																																					
Digital, Custom scale with push button	None																																																																																																					
Digital, 0-100% √ scale with push button	None																																																																																																					
Digital, 0-100% with push button	Yes																																																																																																					
Digital, Custom scale with push button	Yes																																																																																																					
Digital, 0-100% √ scale with push button	Yes																																																																																																					
																																	<b>Approvals for hazardous locations (consult Georgin for availability)</b>																																																																					
																																	None (Standard) ATEX - Flameproof enclosures (digit 4 = "M, P, R, T" & "W" only) ATEX - Intrinsic Safety (*10) FM - Explosion-Proof (digit 4 = "P" & "T" only) CSA - Explosion-Proof (digit 4 = "P" & "T" only) FM - Intrinsic Safety and Non Incendive CSA - Intrinsic Safety ATEX - Type "n" (digit 9 = A, E, 1, 2, 3, 4, 5 & 6 only) IECEx - Type "n" (digit 9 = A, E, 1, 2, 3, 4, 5 & 6 only) IECEx - Flameproof enclosures (digit 4 = "M, P, R, T" & "W" only) IECEx - Intrinsic Safety CSA - Explosion-Proof & Intrinsic Safety combined approval (digit 4 = "P" & "T" only) ATEX - Flameproof enclosures & Intrinsic Safety combined approval (digit 4 = "M, P, R, T" & "W" only) IECEx - Flameproof enclosures & Intrinsic Safety combined approval (digit 4 = "M, P, R, T" & "W" only) FM - Explosion-Proof & Intrinsic Safety combined approval (digit 4 = "P" & "T" only)																																																																					
																																		<b>Side vent/drain &amp; mounting bracket</b>																																																																				
																																	<table border="1"> <thead> <tr> <th>Side Vent/drain</th> <th>Mounting bracket</th> </tr> </thead> <tbody> <tr><td>Standard</td><td>None</td></tr> <tr><td>Standard</td><td>Yes, SS 304L</td></tr> <tr><td>Standard</td><td>Yes, SS 316L</td></tr> <tr><td>Side</td><td>None</td></tr> <tr><td>Side</td><td>Yes, SS 304L</td></tr> <tr><td>Side</td><td>Yes, SS 316L</td></tr> </tbody> </table>		Side Vent/drain	Mounting bracket	Standard	None	Standard	Yes, SS 304L	Standard	Yes, SS 316L	Side	None	Side	Yes, SS 304L	Side	Yes, SS 316L																																																						
Side Vent/drain	Mounting bracket																																																																																																					
Standard	None																																																																																																					
Standard	Yes, SS 304L																																																																																																					
Standard	Yes, SS 316L																																																																																																					
Side	None																																																																																																					
Side	Yes, SS 304L																																																																																																					
Side	Yes, SS 316L																																																																																																					
																																	<b>SS parts</b>																																																																					
																																	<table border="1"> <thead> <tr> <th>SS tag plate</th> <th>SS housing</th> </tr> </thead> <tbody> <tr><td>None</td><td>None</td></tr> <tr><td>Yes</td><td>None</td></tr> <tr><td>None</td><td>Yes</td></tr> <tr><td>Yes</td><td>Yes</td></tr> </tbody> </table>		SS tag plate	SS housing	None	None	Yes	None	None	Yes	Yes	Yes																																																										
SS tag plate	SS housing																																																																																																					
None	None																																																																																																					
Yes	None																																																																																																					
None	Yes																																																																																																					
Yes	Yes																																																																																																					
																																	<b>Special applications &amp; fill fluid</b>																																																																					
																																	<table border="1"> <thead> <tr> <th>Treatment</th> <th>Fill fluid</th> </tr> </thead> <tbody> <tr><td>None (std)</td><td>Silicone oil</td></tr> <tr><td>None (std)</td><td>Fluorinated oil</td></tr> <tr><td>Degreasing</td><td>Silicone oil</td></tr> <tr><td>Oxygen service</td><td>Fluorinated oil (digit 7 = J, V, W)</td></tr> <tr><td>Chlorine service</td><td>Fluorinated oil (digit 7=H,T)</td></tr> <tr><td>(*7) NACE</td><td>Silicone oil</td></tr> </tbody> </table>		Treatment	Fill fluid	None (std)	Silicone oil	None (std)	Fluorinated oil	Degreasing	Silicone oil	Oxygen service	Fluorinated oil (digit 7 = J, V, W)	Chlorine service	Fluorinated oil (digit 7=H,T)	(*7) NACE	Silicone oil																																																						
Treatment	Fill fluid																																																																																																					
None (std)	Silicone oil																																																																																																					
None (std)	Fluorinated oil																																																																																																					
Degreasing	Silicone oil																																																																																																					
Oxygen service	Fluorinated oil (digit 7 = J, V, W)																																																																																																					
Chlorine service	Fluorinated oil (digit 7=H,T)																																																																																																					
(*7) NACE	Silicone oil																																																																																																					
																																	<b>Process cover gasket</b>																																																																					
																																	Viton PTFE square section gasket in SS flange (FEF design) (*5) PTFE square section gasket in PVDF insert																																																																					
																																	<b>Bolts/screws material</b>																																																																					
																																	Carbon steel Cr-Mo (standard) M10 (*3) SS 316(L) / 316(L) (bolt/nuts) M10 Carbon steel Cr-Mo M12 (standard) for static pressure > 160 bar (*11) SS 660/660 (bolt/nuts) M10 for static pressure < 160 bar (*11) SS 660/660 (bolt/nuts) M12 for static pressure > 160 bar																																																																					
																																		<b>Special options or design</b>																																																																				
																																	(*6) - * special, no code available																																																																					

Notes\*:

- The thread is M12, if static pressure 300/420 bar.
- Turn down of 100:1 is possible, but it should be used at a span greater than 1/40 of the maximum span for better performance.
- Max. static pressure 160 bar for SS 316(L) bolts/nuts; for static pressure > 160 bar, please specify SS 660 bolts.
- Gold coating on wetted measuring cell parts for Hydrogen service - Hydroseal version - gold/ceramic coating is available upon request.
- Process cover with PVDF insert with 1/2"-14 NPT side process connection/no vent drain, other upon request - square section PTFE gasket.
- When no code can be found in the current code symbols, place (\*) in concerned code digit(s) and add(\*) in 16 th digit.
- Our bolts/nuts in SS 660 are in conformity with the NACE MR 0175/ISO 15156 requirements and must be used for NACE MR 0175/ISO 15156 service.
- For the static pressure option 420 bar and process cover gasket PTFE please use only code "R", "T" or "X".
- Process connection on the bottom side.
- Code "D & V" FM approval only possible with electrical connection 1/2"-14 NPT.
- SS 660 bolts/nuts have to be used for oil & gas applications.

■ **OUTLINE DIAGRAM (unit : mm)**  
7th digit code : V, H, M, T

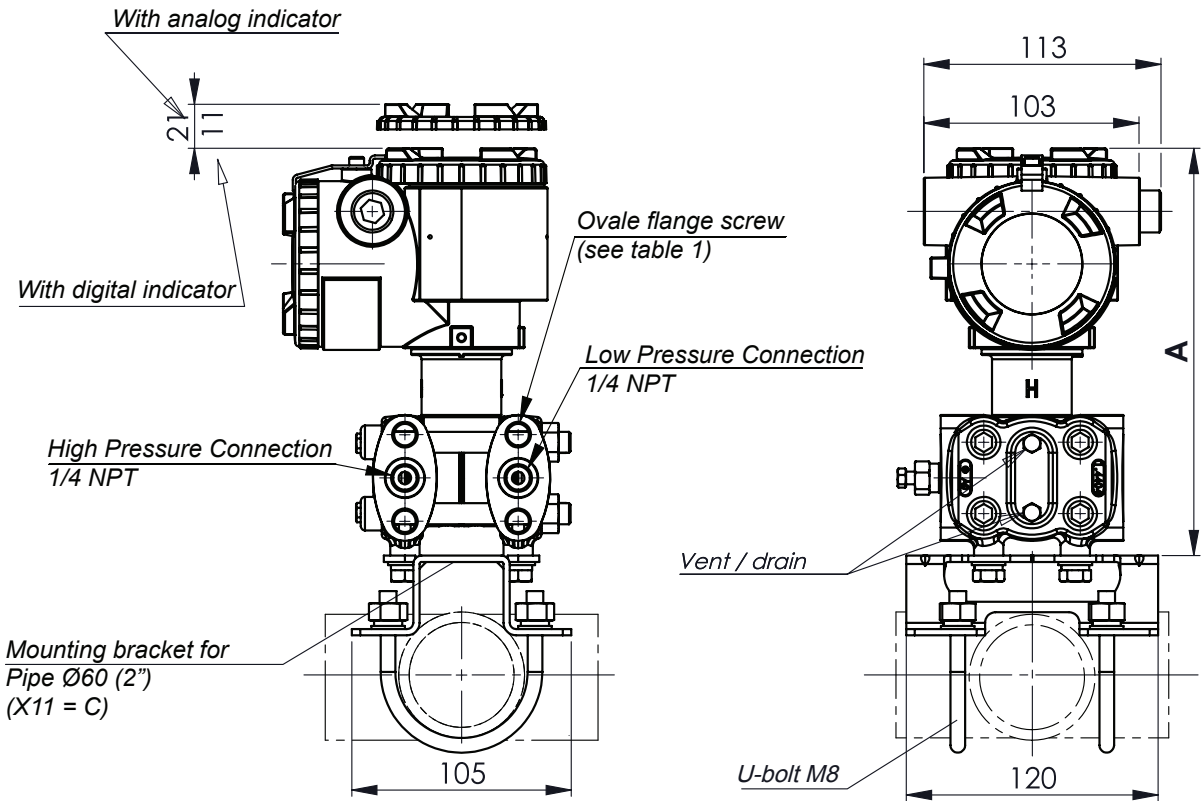


Table 1

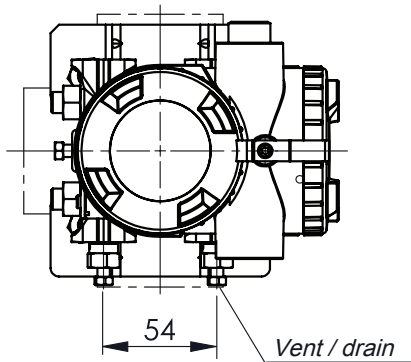
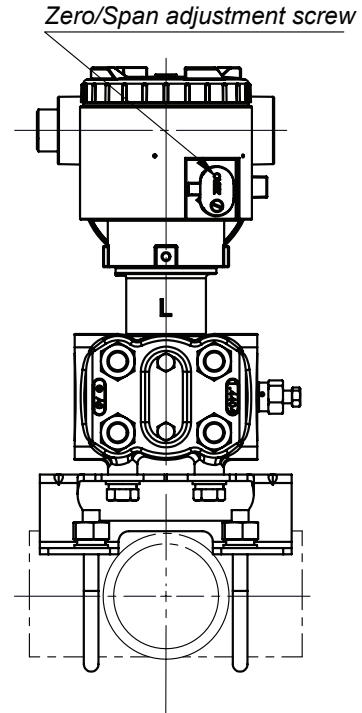
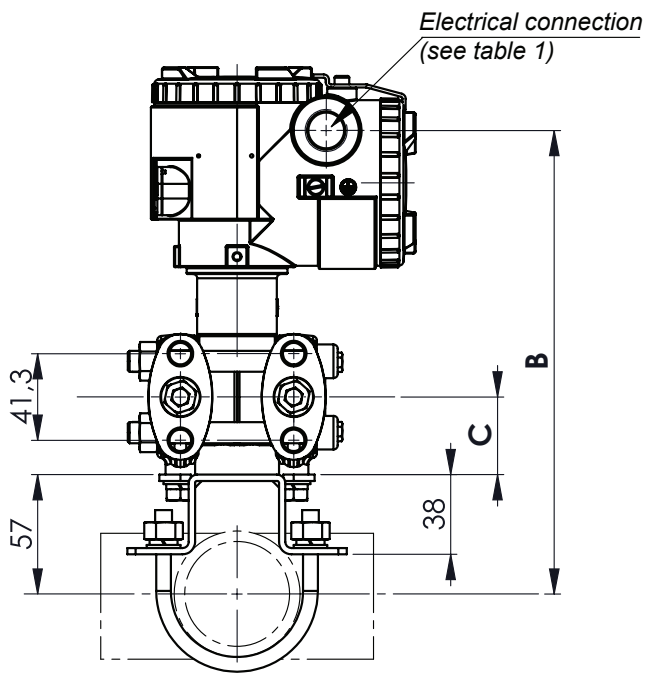
Code X=4	Electrical connection		Oval flange screw
	D	E	
R	M20x1.5	16	7/16-20 UNF
T	1/2-14NPT	16	7/16-20 UNF
V	Pg13.5	10,5	M10
W	M20x1.5	16	M10
X	Pg13.5	10,5	7/16-20 UNF

MODEL	DIMENSIONS		
	A	B	C
FKC□11 FKC□22	198,5	225,5	38,5
FKC□33 FKC□35 FKC□36	194	194	37
FKC□38 FKC□43 FKC□45 FKC□46 FKC□48	198,5	225,5	38,5

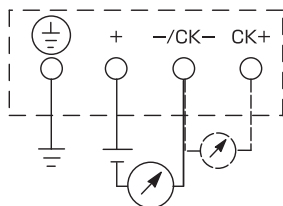
**Weight :**  
3,5 kg (without option)      **Add :** - 0,8 kg for indicator option  
- 2 kg for stainless steel housing option  
- 0,5 kg for mounting bracket

X <sub>1</sub> X <sub>2</sub> X <sub>3</sub> X <sub>4</sub> X <sub>5</sub> X <sub>6</sub> X <sub>7</sub> X <sub>8</sub> -X <sub>9</sub> X <sub>10</sub> X <sub>11</sub> X <sub>12</sub> X <sub>13</sub> -X <sub>14</sub> X <sub>15</sub> -X <sub>16</sub> F K C □ □ □ □ 5 - □ □ □ □ □ - □ □ - □	SPAN LIMIT	
	Min.	Max.
FKC □□1	0,1 kPa (1 mbar)	1kPa (10 mbar)
FKC □□2	0,1 kPa (1 mbar)	6kPa (60 mbar)
FKC □□3	0,32 kPa (3,2 mbar)	32 kPa (320 mbar)
FKC □□5	1,3 kPa (13 mbar)	130 kPa (1,3 bar)
FKC □□6	5 kPa (50 mbar)	500 kPa (5 bar)
FKC □□8	30 kPa (300 mbar)	3 MPa (30 bar)





**CONNECTION DIAGRAM**



**EMC Directive (2004/108/EC)**

All models of ProcessX series transmitters are in accordance with :

- the harmonized standards :
  - EN 61326-1 : 2006 (Electrical equipment for measurement, control and laboratory use - EMC requirement).
  - EN 61326-2-3 : 2006 (Part 2-3 : Particular requirement - Test configurations, operational conditions and performance criteria for transducers with integrated or remote signal conditioning).

**Emission limits : EN 61326-1 : 2006**

Frequency range (MHz)	Limits	Basics standard
30 to 230	40 dB (µV/m) quasi peack, measured at 10 m distance	EN 55011 / CISPR 11 Group 1 Class A
230 to 1000	47 dB (µV/m) quasi peack, measured at 10 m distance	

**Immunity requirements : EN 61326-1 : 2006 (Table 2)**

Phenomenon	Test value	Basic standard	Performance criteria
Electrostatic discharge (EDS)	4 kV (Contact) 8 kV (Air)	EN 61000-4-2 IEC 61000-4-2	<b>B</b>
Electromagnetic field	10 V/m (80 to 1000 MHz) 3 V/m (1.4 to 2.0 GHz) 1 V/m (2.0 to 2.7 GHz)	EN 61000-4-3 IEC 61000-4-3	<b>A</b>
Rated power frequency magnetic field	30 A/m	EN 61000-4-8 IEC 61000-4-8	<b>A</b>
Burst	2 kV (5/50 NS, 5 kHz)	EN 61000-4-4 IEC 61000-4-4	<b>B</b>
Surge	1 kV line to line 2 kV line to line	EN 61000-4-5 IEC61000-4-5	<b>B</b>
Conducted RF	3 V (150 kHz to 80 MHz)	EN 61000-4-6 IEC61000-4-6	<b>A</b>

**Performance criteria :**

- A :** During testing, normal performance within the specification limits.
- B :** During testing, temporary degradation or less of function or performance which is self-recovering.