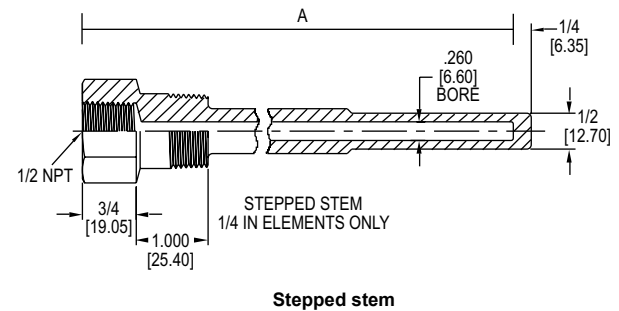
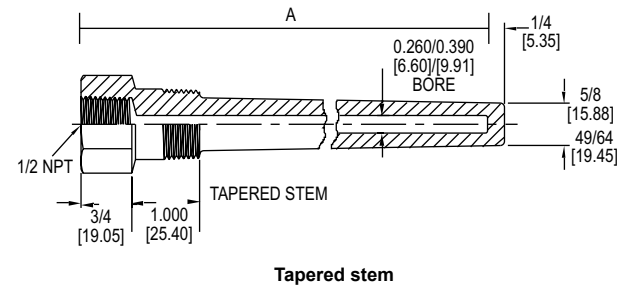
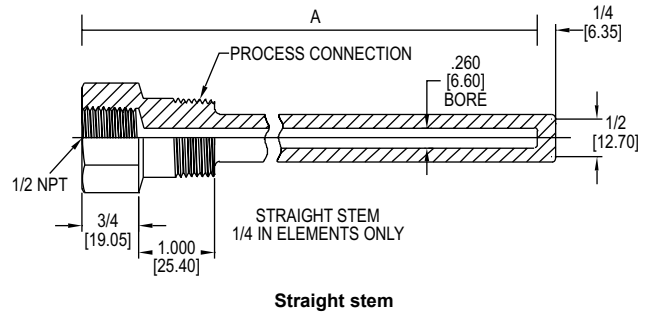
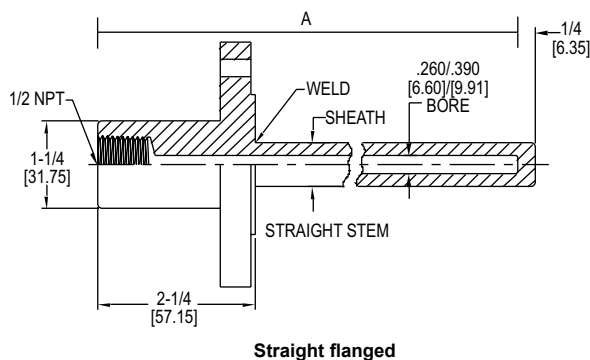
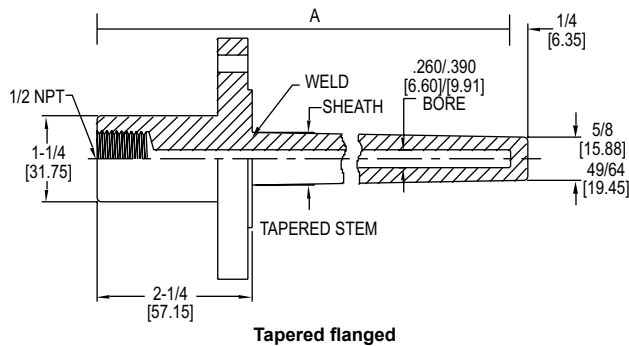


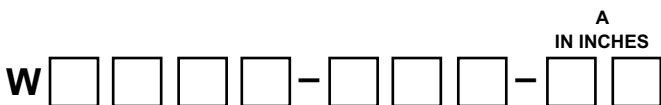
THERMOWELLS



Series W Thermowells select bore as 0.260 for 1/4" diameter elements and 0.390 for 3/8" diameter elements. Specify heavy duty mounting for tapered sheaths.

MODEL CODING

Fill in the appropriate numbers or letters to specify the thermowell of your choice. Fill in all boxes. If an item or dimension does not apply, fill those boxes with zeros '0'.



- HARDWARE TYPE**
- 1: 304 SS sheath
 - 2: 316 SS sheath
 - 3: Brass
 - 4: Carbon steel

- TAPER/BORE**
- 0: Straight/0.260
 - 1: Step/0.260
 - 2: Straight/0.390
 - 3: Taper/0.260
 - 4: Taper/0.390

- INSIDE THREAD**
- 1: 1/2" female NPT

- PROCESS CONNECTION**
- 1: 1/2 NPT
 - 2: 3/4 NPT
 - 3: 1 NPT
 - 4: 1" 150# flange
 - 5: 1-1/2" 150# flange
 - 6: 2" 150# flange
 - 7: 1" 300# flange
 - 8: 1-1/2" 300# flange
 - 9: 2" 300# flange
 - A: 1" 600# flange
 - B: 1-1/2" 600# flange
 - C: 2" 600# flange

- MOUNTING**
- 1: Threaded
 - 2: Heavy duty threaded
 - 3: Heavy duty flanged
 - 4: Flanged

- LAG**
- 0: None
 - 2: 2"
 - 3: 3"

- SHEATH O.D. BASE / TAPER**
- 1: 5/8" / 1/2" step
 - 4: 3/4" / 1/2" step
 - 6: 7/8" / 1/2" step
 - 7: 7/8" / 5/8" taper
 - 8: 1-1/16" / 5/8" taper
 - 9: 7/8" / 49/64" taper
 - A: 1-1/16" / 49/64" taper
 - B: 5/8" straight
 - D: 7/8" straight
 - E: 3/4" straight

USA: California Proposition 65
WARNING: This product can exposure to chemicals including Lead, which is known to the State of California to cause cancer and birth defects or other reproductive harm. For more information go to www.P65Warnings.ca.gov