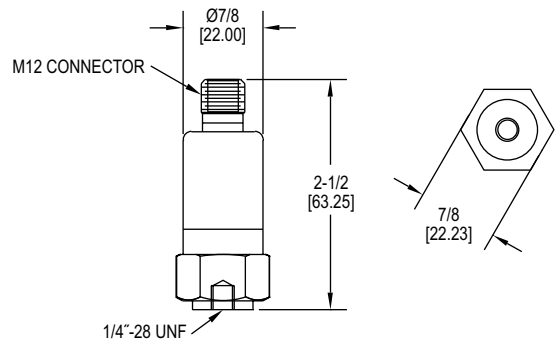


VIBRATION TRANSMITTER

Continuous 4-20 mA Output Signal



The **Model VBT-1 Vibration Transmitter** continuously detects the vibration in a system and monitors for unusual operating conditions and potential failure. Vibration is converted into an analog signal at the current output. The 2-wire loop power operation, combined with a standard M12 micro cable connector and interchangeable mounting studs, make for a fast and reliable installation.

BENEFITS/FEATURES

- Easy set-up and operating concept
- Stainless steel housing
- No software required

APPLICATIONS

- Vibration monitoring for:
- Motors
 - Pumps
 - Fans
 - Engines
 - Compressors
 - Gearboxes

MODEL CHART	
Model	Description
VBT-1	Vibration transmitter

ACCESSORIES	
Model	Description
A-283	4 wire connector

SPECIFICATIONS
Housing Material: 316 SS.
Temperature Limit: -22 to 221°F (-30 to 105°C).
Accuracy: < ±3%.
Connections: M12 connector.
Enclosure Rating: NEMA 6 (IP68).
Electrical Rating: 9.6-32 VDC.
Mounting Orientation: Any position.
Nonlinearity: < ±0.25% of span.
Frequency Range: 10 to 1000 Hz.
Output Signal: 4-20 mA.
Repeatability: < 0.5%.
Weight: 0.28 lb (0.125 kg).
Compliance: CE.