



SERIES WPTN | MULTI-JET NSF CERTIFIED PLASTIC WATER METER



FEATURES/BENEFITS

- Plastic, NSF certified body is ideal for potable water applications
- Multi-jet design allows for accuracy in various flow ranges, even in low flow applications
- Magnetically driven, hermetically sealed register does not leak or fog and is completely separated from the water
- Designed for long service life and maintenance-free operation
- Integral strainer protects meter from particulate damage
- Included coupling adapters simplify installation
- Pulsed output proportional to flow allows for remote flow totalization

APPLICATIONS

- Potable water
- Commercial water usage
- Chiller water usage
- Low cost residential water measurement
- Agriculture (fertilizers, pesticides, and herbicides)
- Irrigation
- Remote water monitoring

DESCRIPTION

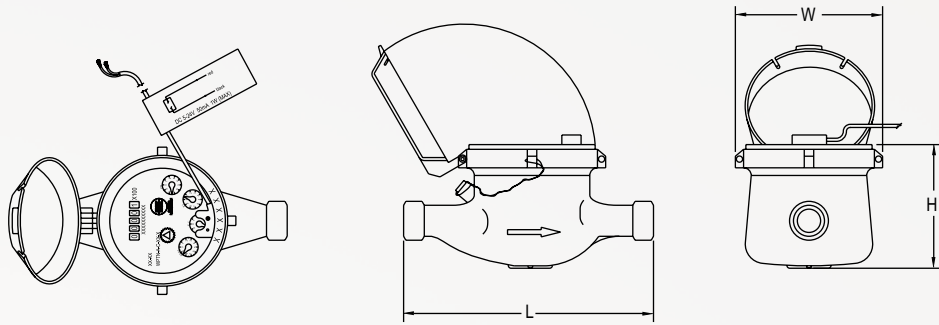
The **Series WPTN Multi-Jet NSF Certified Plastic Water Meter** is a series of plastic mechanical water totalizing meters with NSF certification. The meters display the total water usage in gallons. They are available in a range of body sizes and include NPT optional couplings. The plastic body water meters can be used where standard brass is not compatible, in potable water applications, some corrosive environments, or where an economical water totalizer is desired.

SPECIFICATIONS

Service	Water.
Wetted Materials	Body: PA; Couplings: PA; Measuring chamber: ABS plastic.
Flow Range	See model chart.
Accuracy	WPTN-A-X-XX: Minimum flow: $\pm 3\%$; Nominal flow: $\pm 1.5\%$.
Temperature Limit	112°F (50°C).
Pressure Limit	150 psi (10 bar).
Pressure Drop	See pressure drop curve.
Totalizing Display Maximum	See model chart.
Output Signal	Pulse output with frequency proportional to flow rate.
Pulse Options	0.1 gal, 1 gal, 10 gal, 100 gal per pulse (1 L, 10 L, 100 L, 1000 per pulse*) See model chart.
Electrical Rating	0.01A @ 24 VAC/DC.
Electrical Connections	3.5 mm ² stranded lead wires, 4.5' (1.5 m) long.
Mounting Orientation	Horizontal with meter face facing up.
Weight	See dimension chart.
Approvals	NSF/ANSI 61.

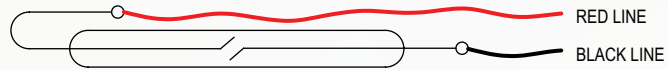
*Consult factory.

DIMENSIONS



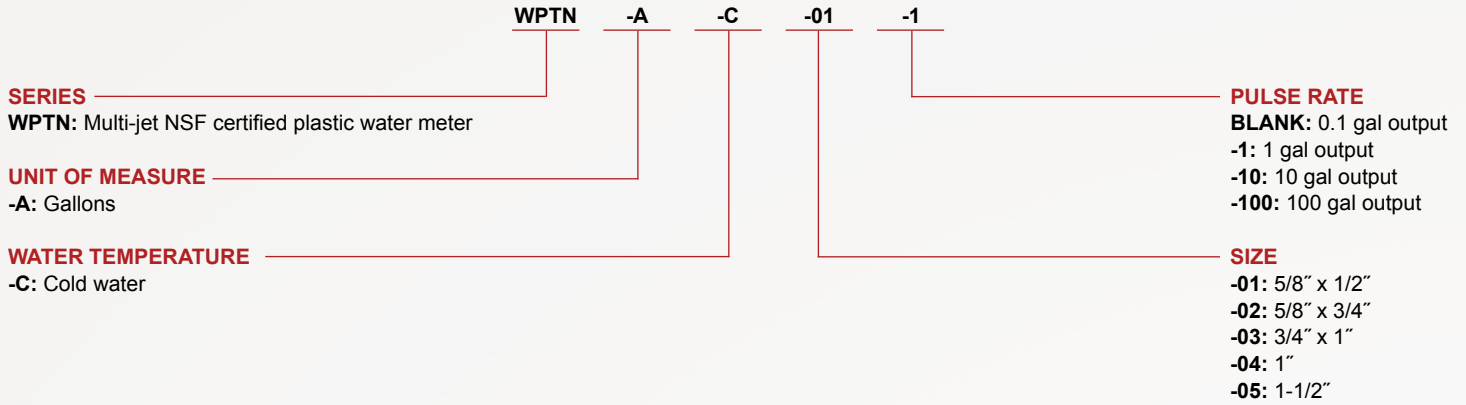
Spud Size (BSPP)	Coupling Size (NPT)	L	W	H	Weight
5/8"	1/2"	6-1/2" [165 mm]	3-23/32" [94 mm]	4-15/64" [107.5 mm]	1.55 lb [0.7 kg]
5/8"	3/4"	7-1/2" [190 mm]	3-23/32" [94 mm]	4-15/64" [107.5 mm]	1.77 lb [0.8 kg]
3/4"	1"	10-1/4" [260 mm]	3-55/64" [98 mm]	4-5/8" [117.5 mm]	2.43 lb [1.1 kg]
1"	1"	10-1/4" [260 mm]	3-55/64" [98 mm]	4-5/8" [117.5 mm]	2.43 lb [1.1 kg]
1-1/2"	1-1/2"	11-13/16" [300 mm]	4-13/16" [122 mm]	5-45/64" [141.5 mm]	4.41 lb [2 kg]

WIRING DIAGRAM



HOW TO ORDER

Use the **bold** characters from the chart below to construct a product code.



MODEL CHART

Model	Size	Coupling Size	GPM (Gallons Per Minute)			Display Max (Gallons)	Pulse Rate (Gal/Pulse)
			Maximum Flow	Nominal Flow Range	Minimum Flow		
WPTN-A-C-01	5/8" x 1/2"	5/8" x 1/2"	20	1 to 20	0.25	9,999,999.99	0.1
WPTN-A-C-02	5/8" x 3/4"	5/8" x 3/4"	20	1 to 20	0.25	9,999,999.99	0.1
WPTN-A-C-03	3/4" x 1"	3/4" x 1"	30	2 to 30	0.5	9,999,999.99	0.1
WPTN-A-C-04	1"	1"	50	3 to 50	0.75	9,999,999.99	0.1
WPTN-A-C-01-1	5/8" x 1/2"	5/8" x 1/2"	20	1 to 20	0.25	9,999,999.99	1
WPTN-A-C-02-1	5/8" x 3/4"	5/8" x 3/4"	20	1 to 20	0.25	9,999,999.99	1
WPTN-A-C-03-1	3/4" x 1"	3/4" x 1"	30	2 to 30	0.5	9,999,999.99	1
WPTN-A-C-04-1	1"	1"	50	3 to 50	0.75	9,999,999.99	1
WPTN-A-C-05-1	1-1/2"	1-1/2"	100	5 to 100	1.5	99,999,999.9	1
WPTN-A-C-01-10	5/8" x 1/2"	5/8" x 1/2"	20	1 to 20	0.25	9,999,999.99	10
WPTN-A-C-02-10	5/8" x 3/4"	5/8" x 3/4"	20	1 to 20	0.25	9,999,999.99	10
WPTN-A-C-03-10	3/4" x 1"	3/4" x 1"	30	2 to 30	0.5	9,999,999.99	10
WPTN-A-C-04-10	1"	1"	50	3 to 50	0.75	9,999,999.99	10
WPTN-A-C-05-10	1-1/2"	1-1/2"	100	5 to 100	1.5	99,999,999.9	10
WPTN-A-C-01-100	5/8" x 1/2"	5/8" x 1/2"	20	1 to 20	0.25	9,999,999.99	100
WPTN-A-C-02-100	5/8" x 3/4"	5/8" x 3/4"	20	1 to 20	0.25	9,999,999.99	100
WPTN-A-C-03-100	3/4" x 1"	3/4" x 1"	30	2 to 30	0.5	9,999,999.99	100
WPTN-A-C-04-100	1"	1"	50	3 to 50	0.75	9,999,999.99	100
WPTN-A-C-05-100	1-1/2"	1-1/2"	100	5 to 100	1.5	99,999,999.9	100

ORDER ONLINE TODAY!

dwyer-inst.com/Product/SeriesWPTN



DWYER INSTRUMENTS, INC.

©Copyright 2020 Dwyer Instruments, Inc.
 Printed in U.S.A. 11/20

DS-WPTN Rev. 2

Important Notice: Dwyer Instruments, Inc. reserves the right to make changes to or discontinue any product or service identified in this publication without notice. Dwyer advises its customers to obtain the latest version of the relevant information to verify, before placing any orders, that the information being relied upon is current.