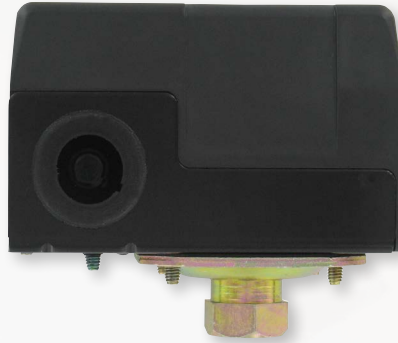




SERIES CXA | MERCROID® WATER PUMP PRESSURE SWITCH



BENEFITS/FEATURES

- The set point and deadband are both easily adjustable reducing time to install and operation
- Mounting in any position and feature simple makes a reliable switch that can be installed by any skill level

APPLICATIONS

- Water system applications
- Electric water pumps
- Well pumps
- Pumping systems

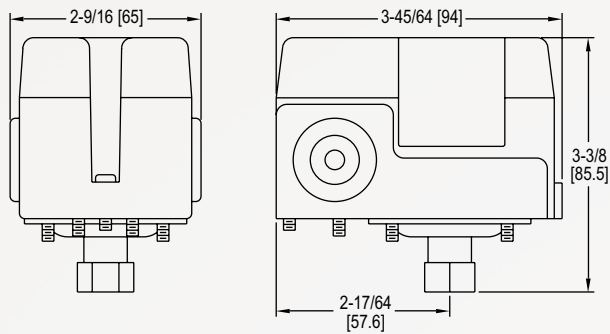
DESCRIPTION

The **Series CXA Water Pump Pressure Switch** has been proven reliable for controlling automatic water systems. These switches are very popular for use on water well pumps and pumping systems. The set point and deadband are both easily adjustable via screws inside the cover. For ease of installation, the switches come with a 1/4" female NPT process connection and can be mounted in any orientation. The series CXA's simple design makes it a great switch for an installer at any skill level.

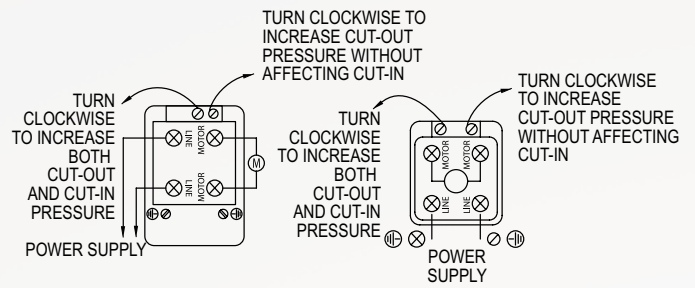
SPECIFICATIONS

Service	Compatible liquids and gases.
Wetted Materials	Silicone, steel, and SS.
Temperature Limits	140°F (60°C).
Pressure Limits	See model chart on catalog page.
Enclosure Rating	General purpose.
Repeatability	±5 psig (±0.3 bar).
Switch Type	DPST snap action (see model chart on catalog page).
Electrical Ratings	20 A @ 120 VAC, 12 A @ 240 VAC, 9.6 A @ 240 VAC (3 phase), 8.6 A @ 32 VDC, 3.1 A @ 120 VDC, 1.6 A @ 240 VDC.
Electrical Connections	Screw terminal.
Conduit Connection	7/8" hole for 1/2" conduit hub (2 places).
Mounting Orientation	Switch can be installed in any position.
Set Point Adjustment	Internal screws.
Deadband	See model chart on catalog page.
Weight	0.75 lb (0.34 kg).
Agency Approvals	CE.

DIMENSIONS

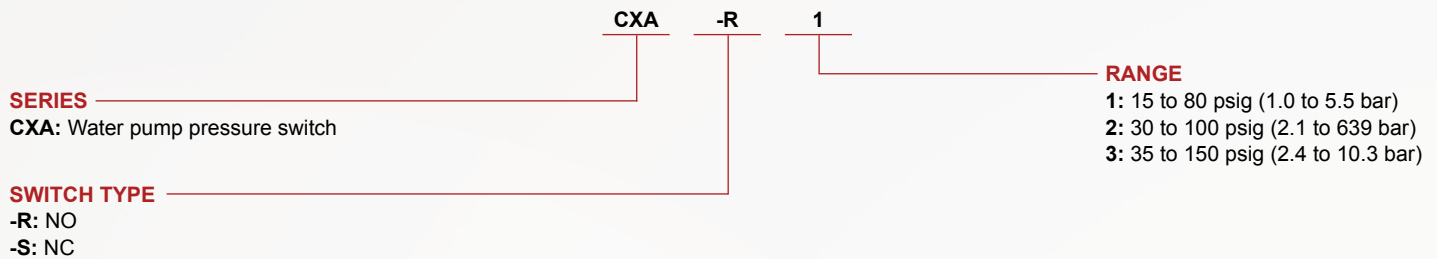


WIRING DIAGRAM



HOW TO ORDER

Use the **bold** characters from the chart below to construct a product code.



ORDER ONLINE TODAY!

dwyer-inst.com/Product/SeriesCXA



DWYER INSTRUMENTS, INC.

©Copyright 2021 Dwyer Instruments, Inc.
Printed in U.S.A. 7/21

DS-CXA Rev. 1

Important Notice: Dwyer Instruments, Inc. reserves the right to make changes to or discontinue any product or service identified in this publication without notice. Dwyer advises its customers to obtain the latest version of the relevant information to verify, before placing any orders, that the information being relied upon is current.