



SERIES 685 | DIFFERENTIAL PRESSURE TRANSMITTER



BENEFITS/FEATURES

- Cost effective and compact device suitable for OEM applications where space, simplicity, and value are key
- Single button to zero saves maintenance time
- Factory restore to defaults with a long button press
- User-adjustable response time provides versatility for many applications

APPLICATIONS

- Building automation, air-conditioning and clean room technology
- Valve and shutter control
- Filter, ventilator and fan monitoring
- Air-flow control

DESCRIPTION

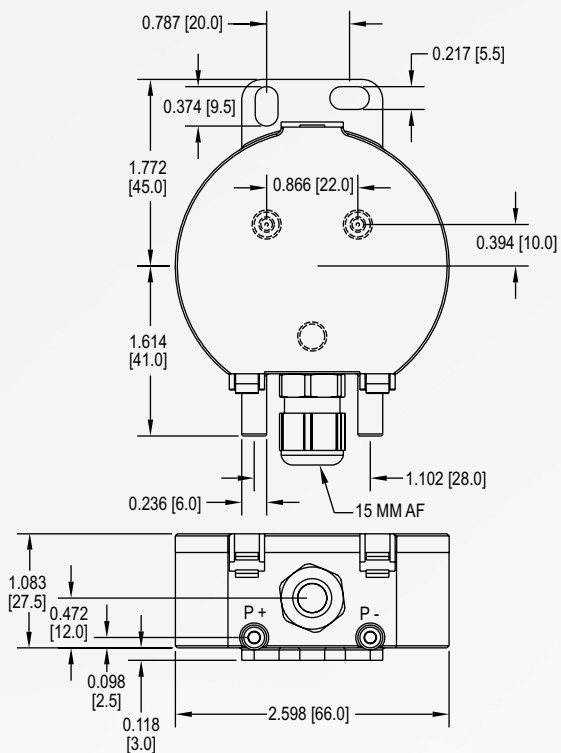
The **Series 685 Differential Pressure Transmitter** is used to measure differential pressure and vacuum. The adjustable pressure range and output signal make it the ideal choice for installers and maintenance professionals. It has a user-configurable response time via a jumper and can be mounted in any orientation. Applications include building automation systems, clean room monitoring, valve and flap control, filter monitoring, and air flow control. It has an adjustable pressure range, a single button to zero, and can be reset to factory settings with a long button press. No additional reference pressure sources or separate calibration devices are necessary.

SPECIFICATIONS

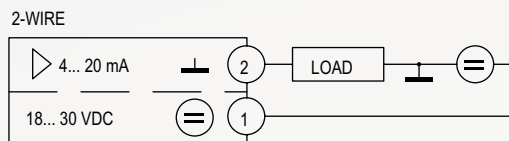
Service	Air and non-corrosive gases.
Sensor Type	Piezoresistive pressure sensor.
Output Signal	2-wire: 4-20 mA; 3-wire: 0-10 V.
Supply Voltage	2-wire: 18-30 VDC; 3-wire: 18-30 VAC/DC.
Loop Resistance	2-wire: 500 Ω max; 3-wire: ≥ 1 k Ω (≤ 10 mA).
Maximum Current Draw	2-wire: 21 mA; 3-wire: 40 mA.
Accuracy*	$\leq \pm 0.5\%$ RSS (BFSL), ± 1 Pa.
Thermal Effects*	See model-dependent specifications table.
Long-Term Stability*	$\leq \pm 1\%$ RSS per year.
Temperature Limits	-4 to 158°F (-20 to 70°C).
Humidity Limits	0 to 95% RH, non-condensing.
Response Time	1 s (default) or 200 ms (user selectable).
Pressure Connections	6 mm hose connection.
Electrical Connection	Spring connector for cable and leads up to 1.5 mm ² .
Cable Conduit	Cap nut conduit, 15 mm (across flats), made of polyamide.
Mounting	Screw fastening with sheet metal screws.
Housing Material	ABS.
Housing Dimensions	\varnothing 66 x 28 mm.
Enclosure Rating	IP54.
Weight	1.6 oz (46 g).
Compliance	CE, UKCA.

*Accuracy specifications are based on measurements at 73°F (23°C).

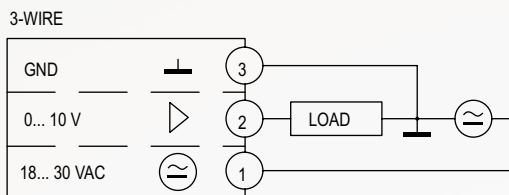
DIMENSIONS



WIRING DIAGRAM



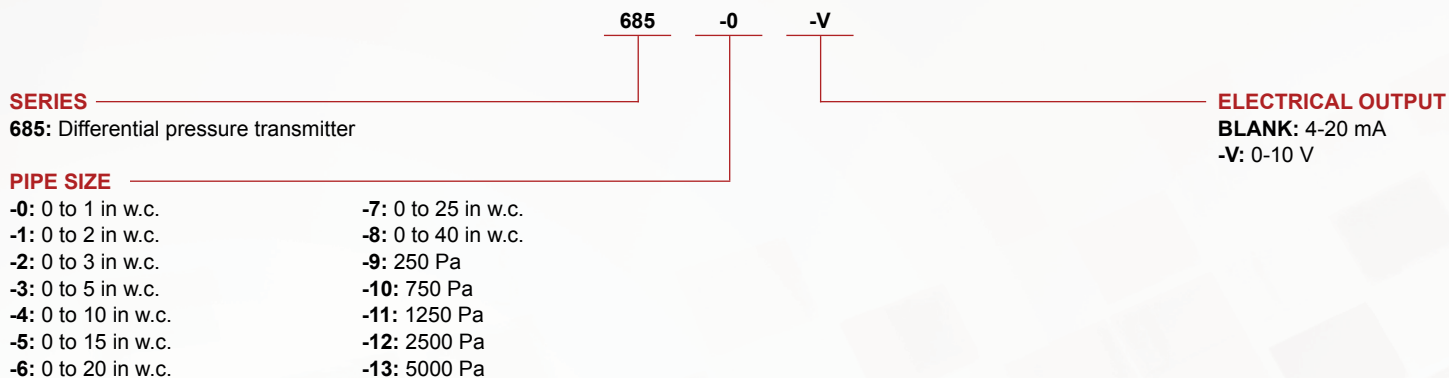
4-20 mA output wiring



Voltage output wiring

HOW TO ORDER

Use the **bold** characters from the chart below to construct a product code.



ACCESSORIES

Model	Description
A-685-DIN	DIN rail adapter kit for Series 685

ORDER ONLINE TODAY!

dwyer-inst.com/Product/Series685



DWYER INSTRUMENTS, LLC

©Copyright 2022 Dwyer Instruments, LLC
Printed in U.S.A. 5/22

DS-685

Important Notice: Dwyer Instruments, LLC reserves the right to make changes to or discontinue any product or service identified in this publication without notice. Dwyer advises its customers to obtain the latest version of the relevant information to verify, before placing any orders, that the information being relied upon is current.