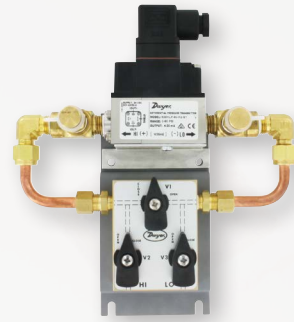




SERIES 629HLP | HIGH PRESSURE DIFFERENTIAL PRESSURE TRANSMITTERS



Shown with -3V 3-way valve option

FEATURES/BENEFITS

- Rugged, versatile, high accuracy device
- For liquid or gas systems requiring precise measurements
- Provide excellent response and reliability
- Suitable for static and dynamic measurements
- Converts pressure changes into 4-20 mA or 0-10 VDC output
- Compact and lightweight, for flexible and simple installation
- Optional 3-way valve manifold allows the transmitter to be zeroed without removing it from service and protects the transmitter from damage due to water hammer or differential overpressure

APPLICATIONS

- Heat exchangers
- Fan coils/air handlers
- Core testing applications
- Hydraulic systems
- High line pressures/low DP
- Pumps
- Commercial/industrial processes
- Sanitary process

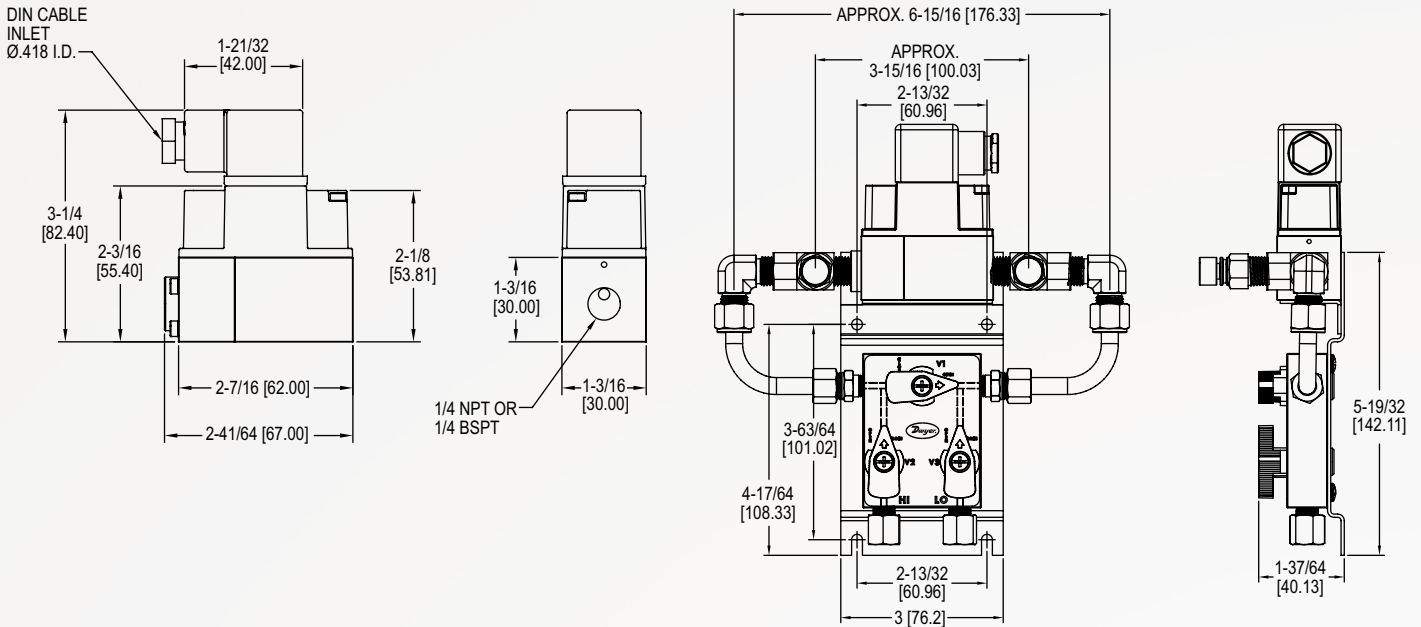
DESCRIPTION

The **Series 629HLP Differential Pressure Transmitters** are suitable for measuring over-pressure, under-pressure, and differential pressure in compatible gases and liquids with 1% accuracy. The 629HLP is suitable for all measuring tasks in commercial, industrial or sanitary applications. Its single sensor design, allows it to measure small increment pressure changes, and converts them to a linear analog output signal from 4-20 mA or 0-10 VDC.

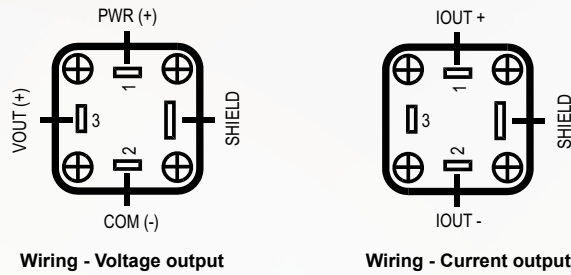
SPECIFICATIONS

Service	Compatible gases or liquids.
Wetted Material	304 SS, EPDM, silicone grease, alumina ceramic; Optional 3-way valve: Brass, copper, nylon, HNBR, FKM, NBR.
Housing Material	ABS.
Enclosure Rating	IP65.
Accuracy	±1% from -5 to 60°C (23 to 140°F).
Stability	±1% FS/year.
Temperature Limits	Ambient: -10 to 60°C (14 to 140°F); Process: -10 to 80°C (14 to 176°F).
Relative Humidity	10 to 90% non-condensing.
Installation Position	Not position sensitive.
Differential Pressure Range	0 to 1 bar; 0 to 2.5 bar; 0 to 4 bar; 0 to 6 bar.
Static Pressure Limits	25 bar (360 psi).
Over Pressure	5 bars for 0 to 1 bar and 0 to 2.5 bar ranges, 12 bars for 0 to 4 bar and 0 to 6 bar ranges; 70 psi for 0 to 15 psi and 0 to 30 psi ranges, 174 psi for 0 to 60 psi and 0 to 90 psi ranges.
Burst Pressure	8 bars for 0 to 1 bar and 0 to 2.5 bar ranges, 18 bars for 0 to 4 bar and 0 to 6 bar ranges; 115 psi for 0 to 15 psi and 0 to 30 psi ranges, 260 psi for 0 to 60 and 0 to 90 psi ranges.
Output Signal	4-20 mA or 0-10 VDC.
Rated Supply Voltage	0-10 VDC output: 12-36 VDC or 12-32 VAC @ max load of 2 KΩ 4-20 mA output: 8-36 VDC.
Max Loop Resistance	(Supply voltage - 8 V) / 0.02 for 4-20 mA output.
Electrical Connections	Form A DIN 43650.
Power Consumption	V _{out} = 13 mA max. I _{out} = 24 mA max.
Process Connections	Standard: 1/4" female NPT, 1/4" female BSPT. With 3-way valve option: 1/8" female NPT, 1/8" female BSPT.
Weight	1 lb 4 oz (567 g).
Agency Approvals	CE, RCM.

DIMENSIONS

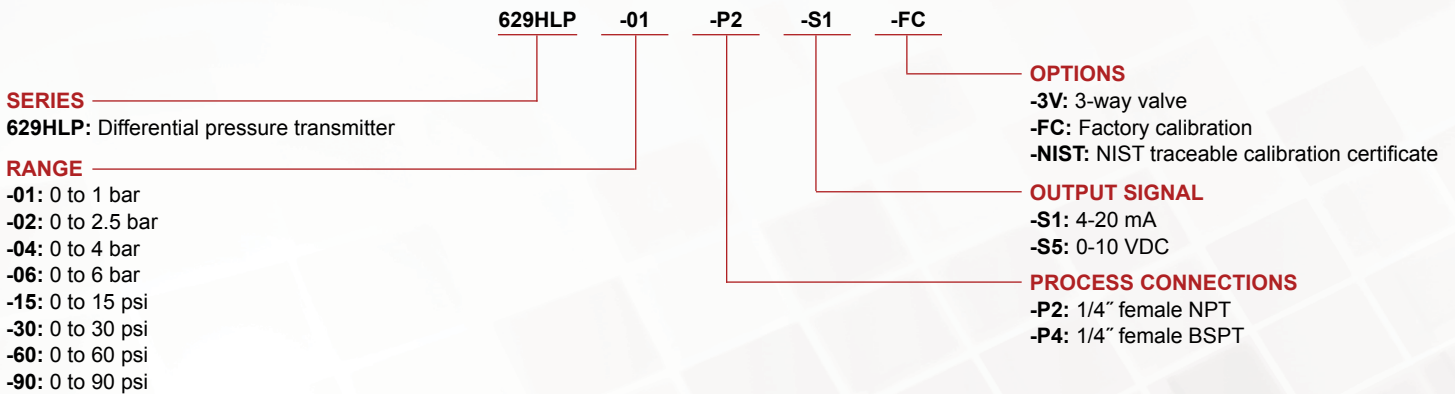


WIRING DIAGRAM



HOW TO ORDER

Use the **bold** characters from the chart below to construct a product code.



USA: California Proposition 65
 ΔWARNING: Cancer and Reproductive Harm - www.P65Warnings.ca.gov

ORDER ONLINE TODAY!

dwyer-inst.com/Product/Series629HLP



DWYER INSTRUMENTS, INC.