



SERIES 477AV | HANDHELD DIGITAL MANOMETER



BENEFITS/FEATURES

- Calculates and displays air velocity and volumetric air flow
- Rugged aluminum case protects instrument from damage during transport/use
- 9 selectable English and metric engineering units
- Large, easy to read display with backlight for use in dark areas
- Stores up to 40 readings with minimum, maximum, and average statistics
- Convenient all-in-one air velocity kit option available

APPLICATIONS

- Air flow monitoring, when used with a Dwyer® pitot tube
- Duct static pressure
- Commercial air balancing
- Building-zone pressure

DESCRIPTION

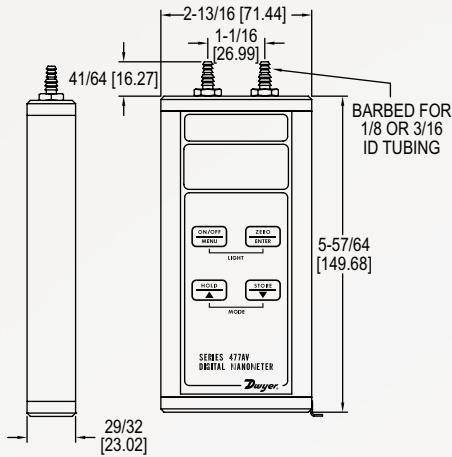
The **Series 477AV Handheld Digital Manometer** is now available with pressure, flow, and velocity measurements along with a number of other convenient features. The built-in air velocity and flow calculations provide accuracy and conserve time and error associated with manual calculations. Also featured on this unit are adjustable zero and span values for calibrating in the field as well as a damping feature to compensate for the fluctuating of readings.

Air velocity kits include: Series 477AV handheld digital manometer, Model 166T 36" telescoping pitot tube, (2) A-303 static pressure tips, (2) 4-1/2' lengths 3/16" ID rubber tubing, A-397 step drill for 3/16" to 1/2" holes, A-532 AV slide chart, and fitted polyethylene case.

SPECIFICATIONS

Service	Air and compatible gases.
Wetted Materials	Consult factory.
Accuracy	±0.5% FS from 60 to 78°F (15.6 to 25.6°C); ±1.5% FS from 32 to 60°F and 78 to 104°F (0 to 15.6°C and 25.6 to 40°C).
Pressure Hysteresis	±0.1% FS.
Pressure Limits	See chart on page 2.
Temperature Limits	0 to 140°F (-17.8 to 60°C).
Compensated Temperature Limits	32 to 104°F (0 to 40°C).
Storage Temperature Limits	-4 to 176°F (-20 to 80°C).
Display	0.42" (10.6 mm) 4 digit LCD.
Resolution	See chart on page 2.
Units of Pressure	in w.c., ft w.c., in Hg, psi, oz/in ² , mm w.c., cm w.c., mm Hg, mbar, Pa, kPa, hPa.
Units of Velocity	fpm, fps, mph, m/h, m/s, k/h, knot.
Units of Flow	cfm, m ³ /h, m ³ /s.
Power Requirements	9 V alkaline battery, installed non-functional, user replaceable.
Weight	10.2 oz (289 g).
Process Connections	Two barbed connections for use with 1/8" (3.18 mm) or 3/16" (4.76 mm) ID tubing; Two compression fittings for use with 1/8" (3.18 mm) ID x 1/4" (6.35 mm) OD tubing for 477AV-7, -8 only.
Agency Approvals	CE.

DIMENSIONS

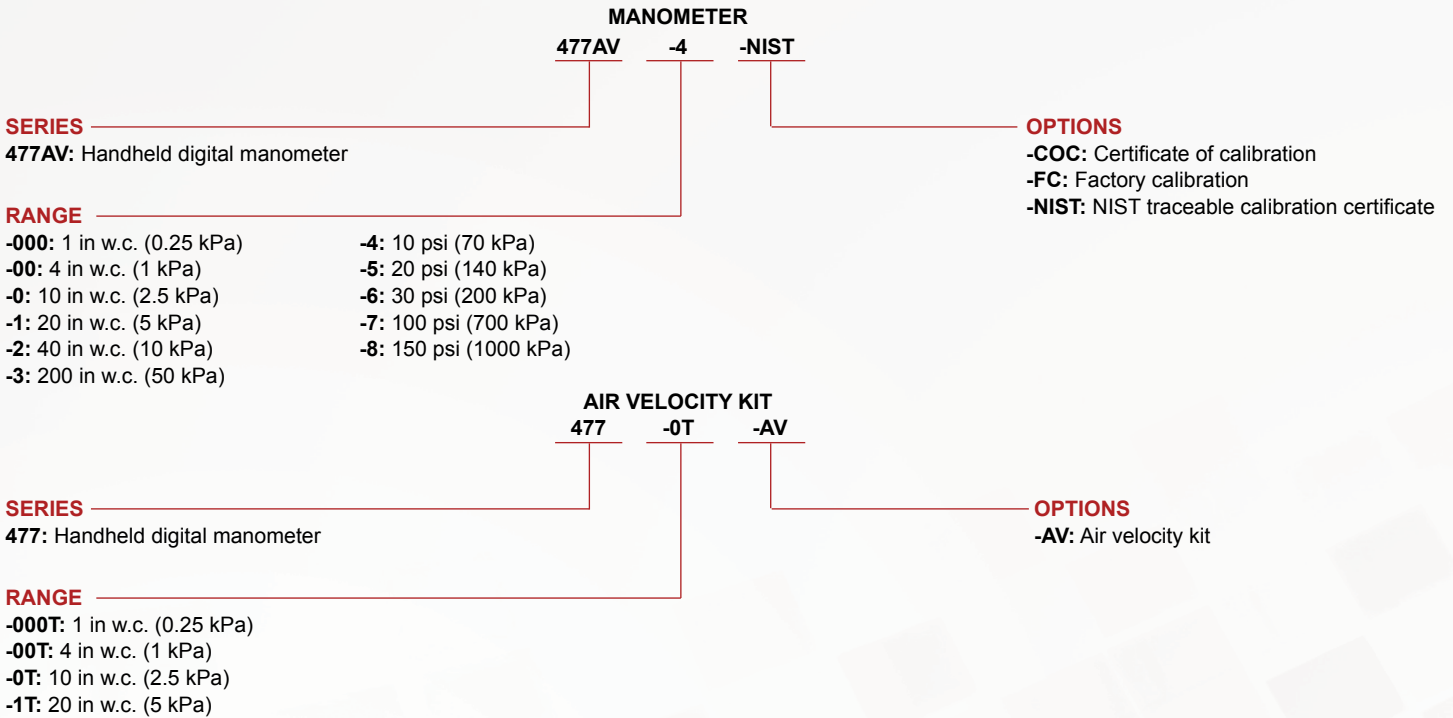


MAXIMUM PRESSURE / RESOLUTION

Pressure Range	Max Pressure	Resolution
0 to 1 in w.c.	5 psig	0.001
0 to 4 in w.c.	5 psig	0.001
0 to 10 in w.c.	5 psig	0.01
0 to 20 in w.c.	10 psig	0.01
0 to 40 in w.c.	10 psig	0.01
0 to 200 in w.c.	30 psig	0.1
0 to 10 psi	30 psig	0.01
0 to 20 psi	60 psig	0.01
0 to 30 psi	60 psig	0.01
0 to 100 psi	150 psig	0.1
0 to 150 psi	200 psig	0.1

HOW TO ORDER

Use the **bold** characters from the chart below to construct a product code.



ACCESSORIES

Model	Description
A-47X-BOOT	Protective magnetic rubber boot
A-402A	Carrying case; tough gray nylon pouch protects any Series 477AV Manometer; double zippered for quick and easy access, with a belt loop that snaps closed; 7-1/2"H x 3"W x 2-1/4"D (191 x 76 x 57 mm)

ORDER ONLINE TODAY!

dwyer-inst.com/Product/Series477AV



DWYER INSTRUMENTS, INC.