



SERIES PFT | PADDLEWHEEL FLOW SENSOR



PFT-IAN-B111-S



PFT-HDN-S611-S shown
with A-PFT-HKIT-SS



PFT-HDN-B611-S shown
with A-PFT-HKIT

FEATURES/BENEFITS

- Long product life even in applications with particulate due to bearings and shaft that offer excellent wear protection
- Use in irrigation applications with weatherproof and submersible ratings
- Save time and inventory with one unit that is adjustable over a large pipe size range
- Application versatility with a variety of wetted material selections
- Reduce need for additional external components with integral 4-20 mA output
- Eliminate concerns regarding magnetic material in flow due to sensor technology, which uses inductive sensing and no magnets

APPLICATIONS

- Irrigation
- Ground water remediation
- Cooling systems
- Pump protection
- Leak detection
- Filtration systems

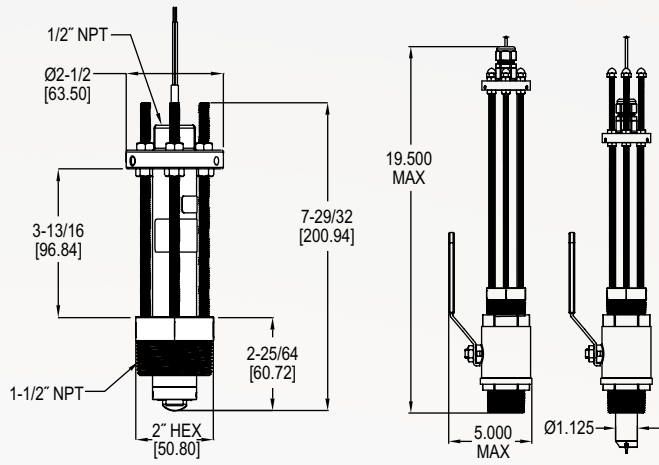
DESCRIPTION

The **Series PFT Paddlewheel Flow Sensor** is used to monitor liquid flow rates in pipes from 1-1/2 to 40" (40-1016 mm). The unit has one size-adjustable sensor and is available in brass or 316 SS body. The unit outputs a frequency proportional pulsed or 4-20 mA output. The pulse models are a square wave output signal with frequency proportional to the flow velocity and the 4-20 mA models have a linear output of the velocity with 4 mA equal to 0 ft/s and 20 mA equal to 25 ft/s.

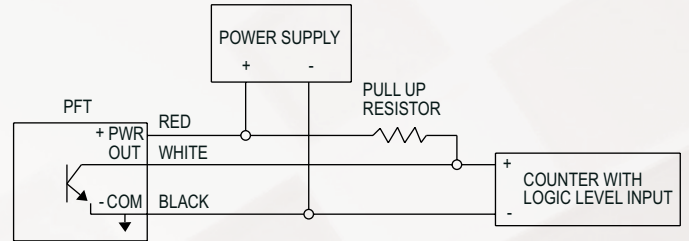
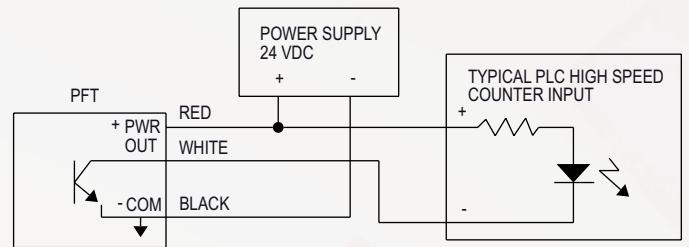
SPECIFICATIONS

Service	Water-based fluids.
Range	1.2 to 25 ft/s (0.37 to 7.62 m/s).
Wetted Materials	Body and fitting: Brass or 316 SS; fitting O-ring: FKM standard, silicone or Buna-N optional; impeller: 316 SS; shaft: Tungsten carbide standard or 316 SS optional; bearing: PTFE standard.
Linearity	±1.0% of FS.
Repeatability	±0.5% of FS.
Temperature Limits	-40 to 212°F (-40 to 100°C).
Pressure Limits	400 psig (27.6 bar) @ 100°F (37.8°C), 325 psig (22.4 bar) @ 212°F (100°C).
Process Connection	1-1/2" NPT male or 1-1/2" BSPT male standard, 2" NPT male or 2" BSPT male optional.
Output	Pulse: NPN open collector with square wave output, rated 60 V @ 50 mA max; Frequency: 3.2 to 200 Hz. Pulse Width: 2.5 msec ±25%; 4-20 mA: 4 mA is 0 ft/s, 20 mA is 25 ft/s.
Power Requirement	10-35 VDC.
Power Consumption	40 mA (max).
Electrical Connection	22 AWG shielded UL type PTLTC rated 105°C, 20' (6.1 m) long with cable gland. Can be extended up to 2000' (609 m) with similar cable. Optional UL listed burial rated cable.
Enclosure Rating	NEMA 6P (IP67)*.
Housing Materials	Brass or 316 SS.
Weight	3 lb (1.36 kg).
Compliance	CE.
*Brass units IP67 only.	

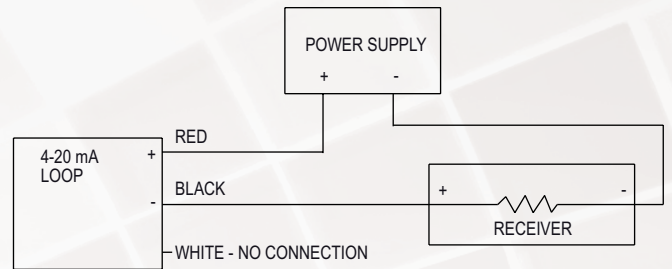
DIMENSIONS



WIRING DIAGRAM



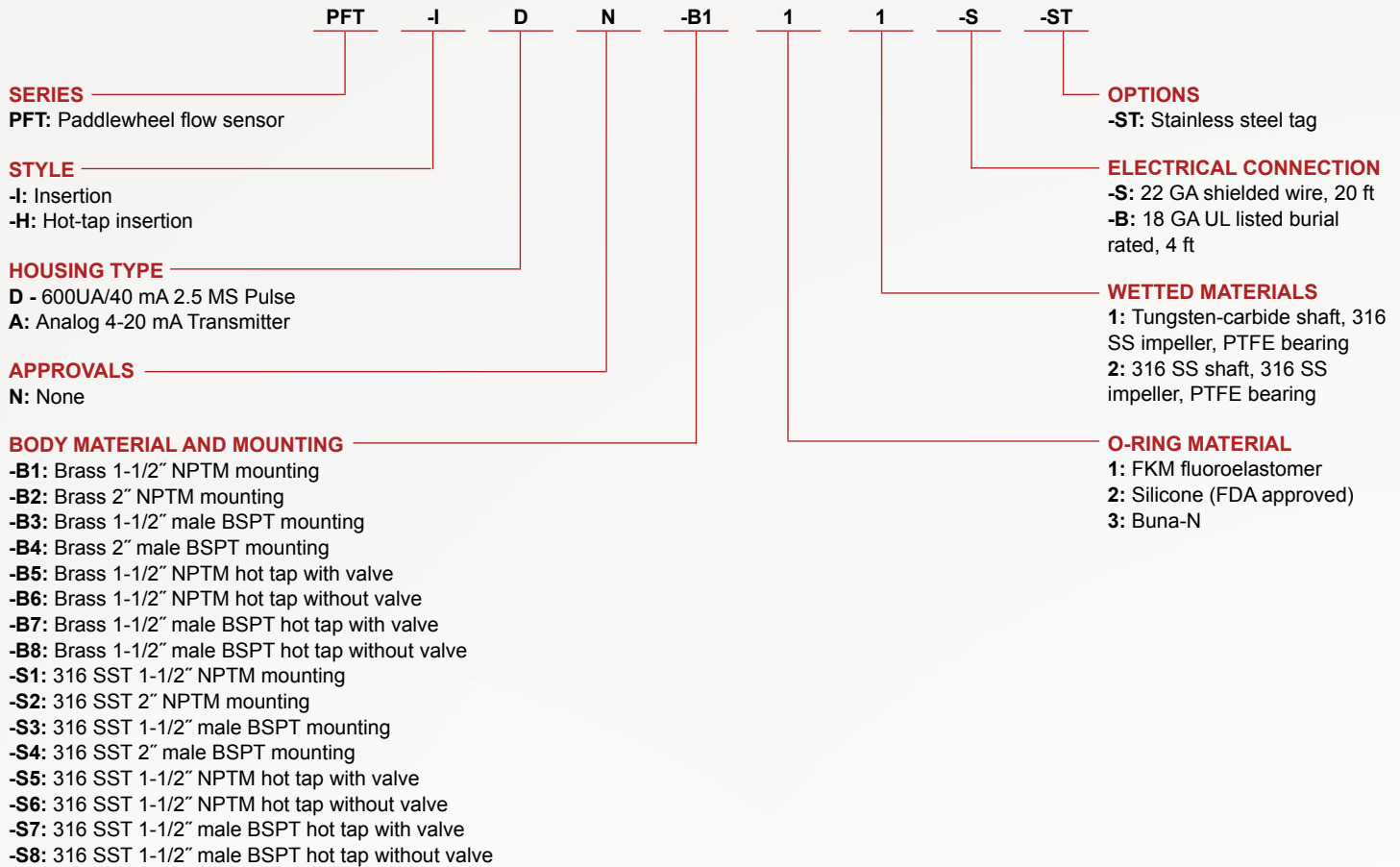
Pulse output wiring



4-20 mA output wiring

HOW TO ORDER

Use the **bold** characters from the chart below to construct a product code.



ACCESSORIES

Model	Description
A-PFT-HKIT	1-1/2" brass valve NPT with nipple
A-PFT-HKIT-SS	1-1/2" SS valve NPT with nipple
A-PFT-HKIT-SS-BSPT	1-1/2" SS valve BSPT with nipple

ORDER ONLINE TODAY!

dwyer-inst.com



DWYER INSTRUMENTS, LLC

©Copyright 2023 Dwyer Instruments, LLC
Printed in U.S.A. 8/23

DS-PFT Rev. 2

Important Notice: Dwyer Instruments, LLC reserves the right to make changes to or discontinue any product or service identified in this publication without notice. Dwyer advises its customers to obtain the latest version of the relevant information to verify, before placing any orders, that the information being relied upon is current.