



SERIES CDWP | CARBON DIOXIDE TRANSMITTER



BENEFITS/FEATURES

- No durability concerns with the rugged aluminum housing
- No water ingress or corrosion concerns with the IP54 housing that withstands 168 hour salt spray testing
- Reduce operation costs using a low energy, reliable, and repeatable CO₂ sensor

APPLICATIONS

- Animal husbandry
- Mechanical room
- CO₂ refrigeration monitoring
- Greenhouses

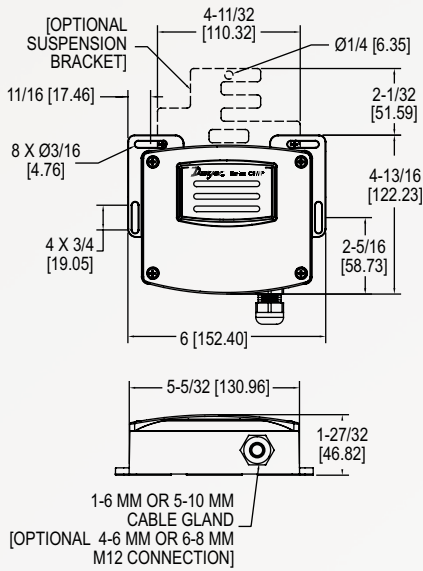
DESCRIPTION

The **Series CDWP Carbon Dioxide Transmitter** accurately monitors the CO₂ concentration in industrial and indoor environments to help achieve energy savings. The CDWP utilizes a rugged IP54 aluminum housing with an exterior gray finish coat that was tested to withstand a 168 hour salt spray corrosion test. This ruggedized housing helps to protect the sensor from splashing liquid and airborne dust or debris making the Series CDWP a great fit for animal husbandry applications and confined feeding operations.

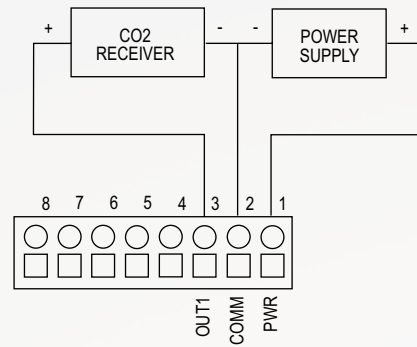
SPECIFICATIONS

Sensor	NDIR.
Range	CO ₂ : 0 to 2000, 0 to 5000, or 0 to 10000 PPM (depending on model).
Accuracy	CO ₂ : ±40 PPM + 3% of reading (2000 PPM); ±50 PPM + 5% of reading (5000 PPM); ±50 PPM + 10% of reading (10000 PPM).
Temperature Dependence	±8 PPM/°C at 1100 PPM (2000 and 5000 PPM); N/A (10000 PPM).
Non-Linearity	16 PPM (2000 and 5000 PPM); N/A (10000 PPM).
Pressure Dependence	0.13% of reading per mm of Hg (2000 and 5000 PPM); N/A (10000 PPM).
Response Time	300 s (τ_{63}) (2000 and 5000 PPM); 2 min for 90% step change (10000 PPM).
Temperature Limits	32 to 122°F (0 to 50°C).
Humidity Limits	10 to 95% RH (non-condensing, 2000 and 5000 PPM); 0 to 85% RH (non-condensing, 10000 PPM).
Power Requirements	16-35 VDC or 19-28 VAC.
Power Consumption	Average: 2 w; Peak: 3.75 w.
Output	Current: 4-20 mA (max. 500 Ω); Voltage: 0-5 VDC or 0-10 VDC (min. 500 Ω).
Enclosure Rating	IP54.
Mounting Orientation	Vertically, with electrical connections pointing downward.
Weight	26.24 oz (744 g).
Compliance	CE.

DIMENSIONS

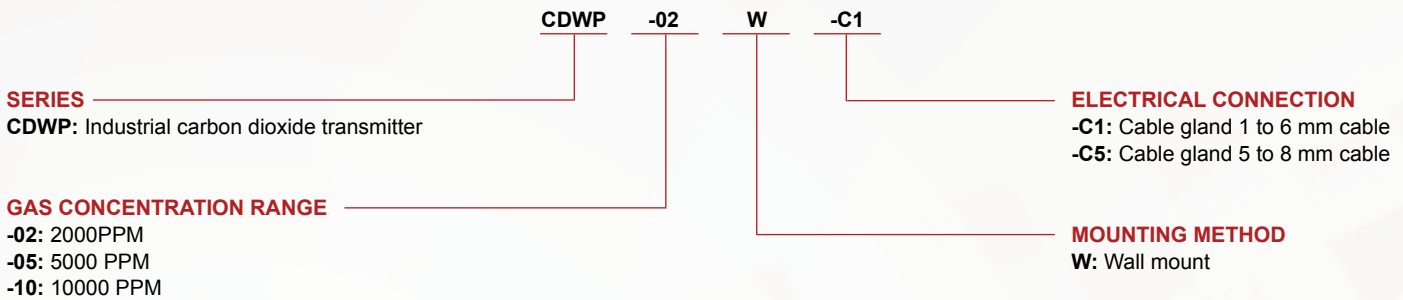


WIRING DIAGRAM



HOW TO ORDER

Use the **bold** characters from the chart below to construct a product code.



ORDER ONLINE TODAY!

dwyer-inst.com



DWYER INSTRUMENTS, INC.

©Copyright 2023 Dwyer Instruments, Inc.
Printed in U.S.A. 9/23

DS-CDWP Rev. 3

Important Notice: Dwyer Instruments, Inc. reserves the right to make changes to or discontinue any product or service identified in this publication without notice. Dwyer advises its customers to obtain the latest version of the relevant information to verify, before placing any orders, that the information being relied upon is current.