



## SERIES AVUL | AIR VELOCITY TRANSMITTER



### BENEFITS/FEATURES

- Minimal preventative maintenance as sensing element is covered with an engineered protective coating
- Easy field setup via the on board dip switches for range and units

### APPLICATIONS

- Building ducts
- VAV systems
- HVAC systems

### DESCRIPTION

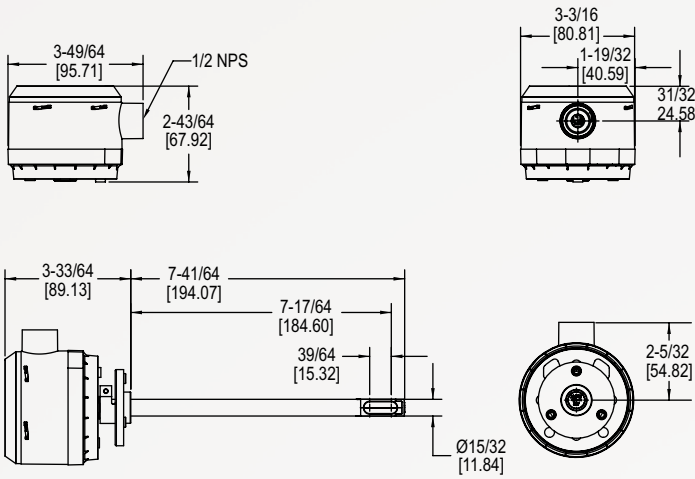
The **Series AVUL Air Velocity Transmitters** quickly and accurately measures air velocity or volumetric flow in imperial or metric units. Simultaneous current and voltage outputs on all models provide universal inputs to monitoring equipment while the output range, units, and 0 to 5/10 VDC, 4-20 mA output can be configured via local DIP switches. The optional integral display, or the portable remote display tool, provide a convenient way to locally monitor process values and configure the unit.

Models are available in 3% and 5% of reading accuracy models to suit a variety of needs, and the optional BACnet MS/TP or Modbus® RTU/ASCII communication protocol allows units to be daisy-chained while providing access to all of the velocity and flow data, as well as additional information such as air temperature.

### SPECIFICATIONS

<b>Service</b>	Clean air and non-combustible, compatible gases.
<b>Range</b>	1000, 2000, 3000, 4000 FPM (5, 10, 15, 20 m/s); Field selectable.
<b>Accuracy</b>	±(5% of reading +0.2 m/s) or ±(3% of reading +0.2 m/s) @ standard conditions, depending on model.
<b>Temperature Limits</b>	32 to 122°F (0 to 50°C).
<b>Power Requirements</b>	24 VDC ±20% or 24 VAC ±20%.
<b>Humidity Limits</b>	5 to 95% RH, non-condensing.
<b>Output Signal</b>	4-20 mA, 0-5 VC, 0-10 VDC.
<b>Response Time (90%)</b>	10 s (typ).
<b>Zero and Span Adjustments</b>	Digital push buttons.
<b>Current Consumption</b>	60 mA max.
<b>Display (Optional)</b>	5 digit LCD.
<b>Communication (Optional)</b>	Connections: BACnet MS/TP or Modbus® RTU/ASCII: 3-wire removable European style terminal block for 16 to 26 AWG; Supported baud rates: 9600, 19200, 38400, 57600, 76800, 115200.
<b>Device Load</b>	1/8 unit load.
<b>Electrical Entry</b>	1/2" NPS thread; Accessory (A-151): Cable gland for 5 to 10 mm diameter cable.
<b>Enclosure Rating</b>	NEMA 4X (IP66).
<b>Weight</b>	6.0 oz (160 g).
<b>Compliance</b>	CE.

## DIMENSIONS



## HOW TO ORDER

Use the **bold** characters from the chart below to construct a product code.

**AVUL**    **-3**    **D**    **A1**    **-LCD**

### SERIES

**AVUL:** Air velocity transmitter

### ACCURACY

**-3:** ±(3% of reading + 0.2 m/s)

**-5:** ±(5% of reading + 0.2 m/s)

### MOUNTING

**D:** Duct mount

### OUTPUT

**A1:** Analog universal

**B1:** Analog + BACnet MS/TP

**M1:** Analog + Modbus® RTU/ASCII communication protocol

### OPTIONS

**-FC:** Factory calibration certificate

**-LCD:** LCD display

**-NIST:** NIST traceable calibration certificate

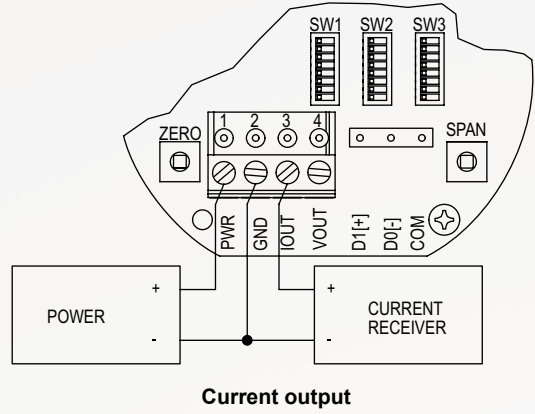
**-GLD:** Electrical cable gland

**-SF:** Silicone free

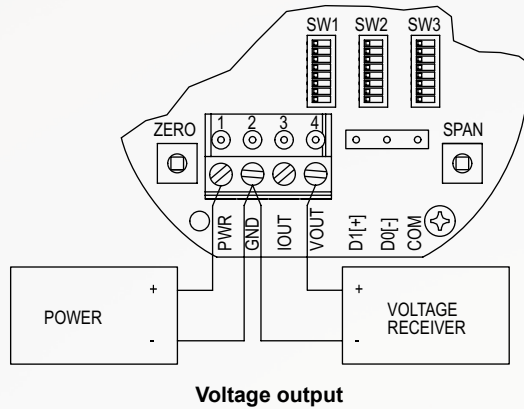
## ACCESSORIES

Model	Description
<b>A-151</b>	Cable gland for 5 to 10 mm diameter cable
<b>A-435-A</b>	Remote display tool
<b>A-AVUL-LCD</b>	Field upgradeable display
<b>A-AVUL-MTG</b>	Replacement mounting flange
<b>SCD-PS</b>	100-240 VAC/VDC to 24 VDC power supply

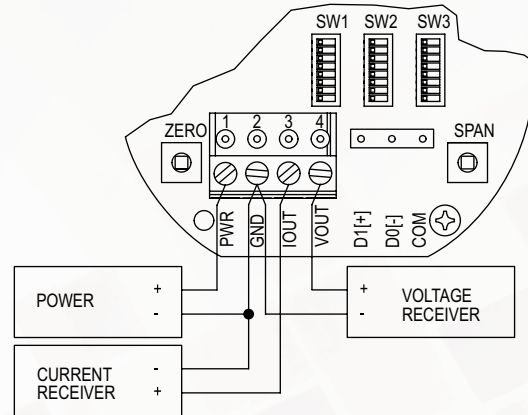
## WIRING DIAGRAM



Current output



Voltage output



Simultaneous current and voltage output

Modbus® is a registered trademark of Schneider Electric USA, Inc.



DWYER INSTRUMENTS, LLC

ORDER ONLINE TODAY!

[dwyer-inst.com](http://dwyer-inst.com)

©Copyright 2023 Dwyer Instruments, LLC  
Printed in U.S.A. 3/23

DS-AVUL Rev. 3

Important Notice: Dwyer Instruments, LLC reserves the right to make changes to or discontinue any product or service identified in this publication without notice. Dwyer advises its customers to obtain the latest version of the relevant information to verify, before placing any orders, that the information being relied upon is current.