



SERIES 605 | MAGNEHELIC® DIFFERENTIAL PRESSURE INDICATING TRANSMITTER



Note: Shown with optional -SS bezel.
Backward compatible with Magnehelic® Gage.

BENEFITS/FEATURES

- Easy to read gage permits viewing from far away
- Patented design provides quick response to pressure changes means no delay in signaling and alerting to critical situations
- Durable and rugged housing and high-quality components combined provides long-service life and minimized down-time
- Optional stainless steel bezel is the same installation diameter as Magnehelic® gage and simplifies field upgrade to 605 indicating transmitter

APPLICATIONS

- Monitor pressures in ducts, rooms, or total building pressures
- Filter monitoring
- Local indication of clean room pressures with process signal sent to control room

DESCRIPTION

The **Series 605 Magnehelic® Differential Pressure Indicating Transmitter** provides for both visual monitoring and electronic control of very low differential pressure. The Series 605 is ideal for control applications in building HVAC systems where local indication is desired during routine maintenance checks or necessary when trouble shooting the system. The easily read dial gage is complimented by the 2-wire, 4-20 mA control signal utilizing the time-proven Dwyer® Magnehelic® gage mechanical design and Series 600 transmitter technology. The 2-wire design with terminal strip on the rear simplifies connection in any 4-20 mA control loop powered by a 10-35 VDC supply.

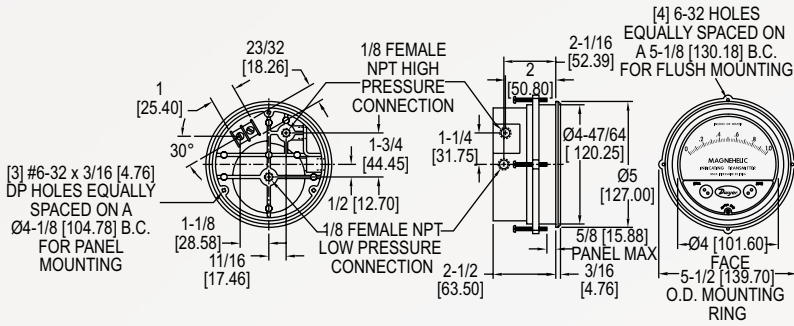
GAGE SPECIFICATIONS

Service	Air and non-combustible, compatible gases.
Wetted Materials	Consult factory.
Accuracy	See ordering page.
Stability	±1% FS/yr.
Pressure Limits	See ordering page.
Temperature Limits	20 to 120°F (-6.67 to 48.9°C).
Process Connections	1/8" female NPT.
Size	4" (101.6 mm) dial face, 5" (127 mm) OD x 2-11/16" (68.3 mm). For -SS Bezel 4-3/4" OD (120.7 mm) x 2-21/32" (67.5 mm).
Weight	1 lb, 12.6 oz (811 g).
Compliance	CE.

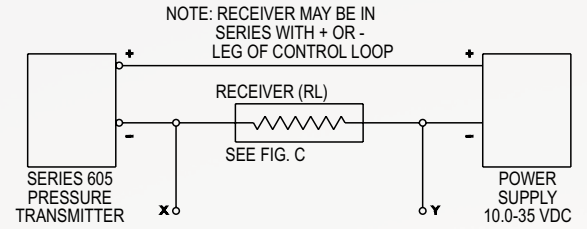
TRANSMITTER SPECIFICATIONS

Accuracy	See ordering page (includes linearity, hysteresis, and repeatability).
Temperature Limits	20 to 120°F (-6.67 to 48.9°C).
Compensated Temperature Range	32 to 120°F (0 to 48.9°C).
Thermal Effect	±0.025% FS/°F (0.045% FS/°C).
Power Requirements	10 to 35 VDC (2-wire).
Output Signal	4 to 20 mA.
Zero and Span Adjustments	Protected potentiometers.
Loop Resistance	DC: 0 to 1250 Ω maximum.
Current Consumption	DC: 38 mA maximum.
Electrical Connections	Screw terminal block.
Mounting Orientation	Diaphragm in vertical position. Consult factory for other position orientations.

DIMENSIONS



WIRING DIAGRAM



HOW TO ORDER

Use the **bold** characters from the chart below to construct a product code.

SERIES	605	-0	-AT
605: Magnehelic® differential pressure indicating transmitter			
VARIANT 1			OPTIONS
-00N: 0.05 to 0 to 0.20 in w.c.	-20: 0.05 to 20.0 in w.c.		-AT: Aluminum tag
-0: 0.05 to 0.50 in w.c.	-30: 0.05 to 30.0 in w.c.		-G: Green scale overlay
-1: 0.05 to 1.0 in w.c.	-50: 0.05 to 50.0 in w.c.		-HC: Horizontal calibration (90° face up)
-2: 0.05 to 2.0 in w.c.	-60PA: 0 to 60 Pa		-M: Mirror scale overlay
-3: 0.05 to 3.0 in w.c.	-125PA: 0 to 125 Pa		-NIST: NIST traceable calibration certificate
-6: 0.05 to 6.0 in w.c.	-250PA: 0 to 250 Pa		-R: Red scale overlay
-10: 0.05 to 10.0 in w.c.	-500PA: 0 to 500 Pa		-SS: Brushed 304 SS bezel
-11: 0.25 to 0 to 0.25 in w.c.	-1KPA: 0 to 1kPa		-ST: SS tag
-12: 0 to ±60 Pa	-1.5KPA: 0 to 1.5kPa		-TA: Tilt angle from vertical in degrees (-90 to 90)
			-WP: Weather proof enclosure
			-Y: Yellow scale overlay

ACCESSORIES

Model	Description
A-298	Flat aluminum bracket for flush mounting Photohelic® and Capsuhelic® gages, 603A, 605, and 3000MR
A-320-B	Enclosure for 3000MR/MRS Photohelic® switch/gage, 605 Magnehelic® DP transmitter, DH3 Dighelic® pressure controller, 2000 Magnehelic® gage with medium and high pressure options, 4-13/16" (122.24 mm)
A-370	Flush mount bracket used with: Photohelic® 3000MR/MRS, Capsuhelic®, 631B transmitter, EDA. Bracket is then surface mounted. Steel with gray hammertone epoxy finish
A-489	4" 303 SS straight static pressure tip with flange

ORDER ONLINE TODAY!

dwyer-inst.com



DWYER INSTRUMENTS, LLC

©Copyright 2022 Dwyer Instruments, LLC
Printed in U.S.A. 12/22

DS-605 Rev. 2

Important Notice: Dwyer Instruments, LLC reserves the right to make changes to or discontinue any product or service identified in this publication without notice. Dwyer advises its customers to obtain the latest version of the relevant information to verify, before placing any orders, that the information being relied upon is current.