

## built-up thermowells, straight shank with threaded connection, NP25



Thermowells are used to protect the measuring instrument from corrosion, high pressure or high fluid velocity and to allow the measuring instrument removal for recalibration or replacement without affecting the process system. The w10-W20 serie includes thermowells with threaded process connection. These thermowells are suitable for low/medium working conditions.

### 9 - Thermowells

**Nominal pressure:** 360 psi @ 752°F (25 bar @ 400°C).

**Process fluid temperature:** -328...+752°F (-200...+400 °C), for std materials.

**Total length:** 196" max (5000 mm).

**Insertion bore:** **100** -  $\varnothing$  0,39" (10 mm); **120** -  $\varnothing$  0,47" (12 mm)

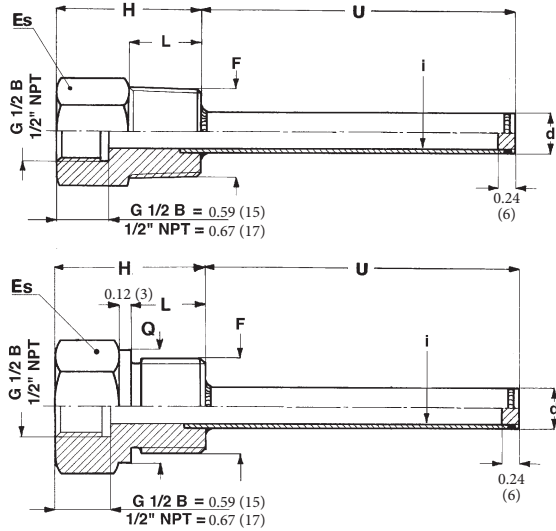
**Materials :**

insertion, AISI 316 (Cod. 4), AISI 316L (Cod. 5) st.st. seamless tube;  
thread, AISI 316, AISI 316L st.st. bar-stock.

### OPTIONS

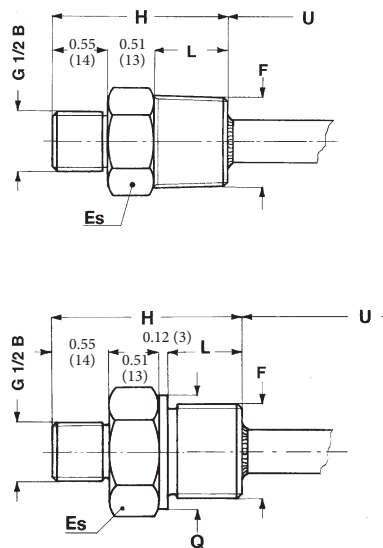
|  |
|--|
| <b>E30</b> - NACE MR0103/MR0175 - ISO15156-3 certificate |
| <b>P02</b> - Oxygen service                              |
| <b>TC1</b> - Plug and chain (1)                          |

(1) Drawings and details in the "Thermowells information" sheet.



| Mod. | Es.       | F        | i         | d         | H         | L         | Q           |
|------|-----------|----------|-----------|-----------|-----------|-----------|-------------|
| W11  | 0.94 (24) | 43M      | 0.39 (10) | 0.47 (12) | 1.65 (42) | 0.67 (17) | -           |
|      |           | 1/2" NPT | 0.47 (12) | 0.55 (14) |           |           |             |
| W12  | 1.06 (27) | 53M      | 0.39 (10) | 0.47 (12) | 1.69 (43) | 0.71 (18) | -           |
|      |           | 3/4" NPT | 0.47 (12) | 0.55 (14) |           |           |             |
| W13  | 1.42 (36) | 41M      | 0.39 (10) | 0.47 (12) | 1.42 (36) | 0.55 (14) | 1.02 (26)   |
|      |           | G 1/2 B  | 0.47 (12) | 0.55 (14) |           |           |             |
| W14  | 1.61 (41) | 63M      | 0.39 (10) | 0.47 (12) | 1.81 (46) | 0.83 (21) | -           |
|      |           | 1" NPT   | 0.47 (12) | 0.55 (14) |           |           |             |
| W14  | 1.26 (32) | 51M      | 0.39 (10) | 0.47 (12) | 1.50 (38) | 0.63 (16) | 1.25 (31,7) |
|      |           | G 3/4 B  | 0.47 (12) | 0.55 (14) |           |           |             |
| W14  | 1.61 (41) | 61M      | 0.39 (10) | 0.47 (12) | 1.57 (40) | 0.71 (18) | 1.54 (39)   |
|      |           | G 1 B    | 0.47 (12) | 0.55 (14) |           |           |             |

dimensions : inches (mm)



| Mod. | Es.       | F        | i         | d         | H         | L         | Q           |
|------|-----------|----------|-----------|-----------|-----------|-----------|-------------|
| W21  | 0.87 (22) | 43M      | 0.39 (10) | 0.47 (12) | 1.73 (44) | 0.67 (17) | -           |
|      |           | 1/2" NPT | 0.47 (12) | 0.55 (14) |           |           |             |
| W22  | 1.06 (27) | 53M      | 0.39 (10) | 0.47 (12) | 1.77 (45) | 0.71 (18) | -           |
|      |           | 3/4" NPT | 0.47 (12) | 0.55 (14) |           |           |             |
| W23  | 1.42 (36) | 41M      | 0.39 (10) | 0.47 (12) | 1.61 (41) | 0.55 (14) | 1.02 (26)   |
|      |           | G 1/2 B  | 0.47 (12) | 0.55 (14) |           |           |             |
| W24  | 1.26 (32) | 63M      | 0.39 (10) | 0.47 (12) | 1.89 (48) | 0.83 (21) | -           |
|      |           | 1" NPT   | 0.47 (12) | 0.55 (14) |           |           |             |
| W24  | 1.61 (41) | 51M      | 0.39 (10) | 0.47 (12) | 1.69 (43) | 0.63 (16) | 1.25 (31,7) |
|      |           | G 3/4 B  | 0.47 (12) | 0.55 (14) |           |           |             |
| W24  | 1.61 (41) | 61M      | 0.39 (10) | 0.47 (12) | 1.77 (45) | 0.71 (18) | 1.54 (39)   |
|      |           | G 1 B    | 0.47 (12) | 0.55 (14) |           |           |             |

dimensions : inches (mm)

## "HOW TO ORDER" S

| Section | Model | Material | Instrument connection | Process connection | Insertion bore/ length | Insertion / length | Extension / length | Options   |
|---------|-------|----------|-----------------------|--------------------|------------------------|--------------------|--------------------|-----------|
| 9       | W11   | 4        | 41F - G 1/2           | 41M                | 100                    |                    |                    | E30...TC1 |
|         | W12   | 5        | 43F - 1/2 NPT         | 51M                | 120                    |                    |                    |           |
|         | W13   |          | 41M - G 1/2 B         | 61M                |                        |                    |                    |           |
|         | W14   |          |                       | 43M                |                        |                    |                    |           |
|         | W21   |          |                       | 53M                |                        |                    |                    |           |
|         | W22   |          |                       | 63M                |                        |                    |                    |           |
|         | W23   |          |                       |                    |                        |                    |                    |           |
|         | W24   |          |                       |                    |                        |                    |                    |           |