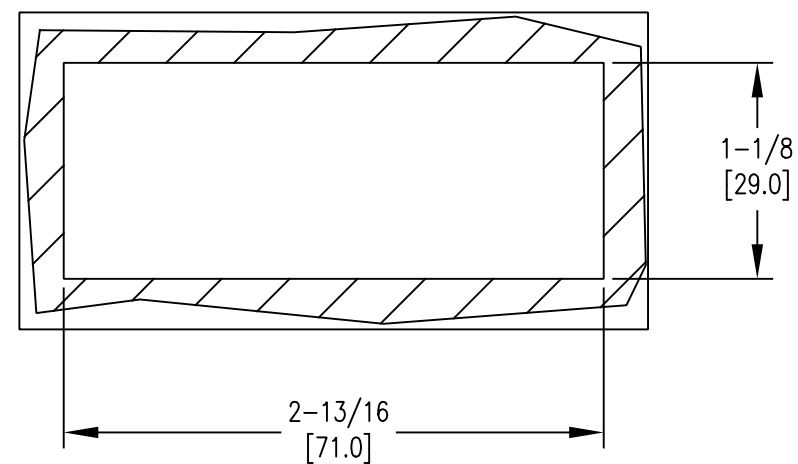


DRILLING TEMPLATE



Ⓢ = CRITICAL DIMENSION
STANDARD TOLERANCES UNLESS NOTED:
ALL DECIMAL DIMENSIONS ± .005
ALL ANGLES ± 1°

SCALE 2:1

			DATE 09-20-21	NAME BULLETIN ARTWORK 40T2/40M2 SERIES DIGITAL TEMPERATURE SWITCH	MATERIAL
			DWN BY KAS		FINISH
			CHKD		DWYER INSTRUMENTS MICHIGAN CITY, INDIANA 46360 U.S.A.
0	INITIAL RELEASE ND-007802		APPD		
NO.	CHANGES	BY/DATE			FR. NO. 701483-00

NOTICE: This drawing and the principles and elements of design embodied therein are the exclusive property of DWYER INSTRUMENTS and are not to be communicated, disclosed, reproduced or used except as previously authorized in writing by such corporation and must not be submitted to outside parties for examination without the written consent of said corporation.