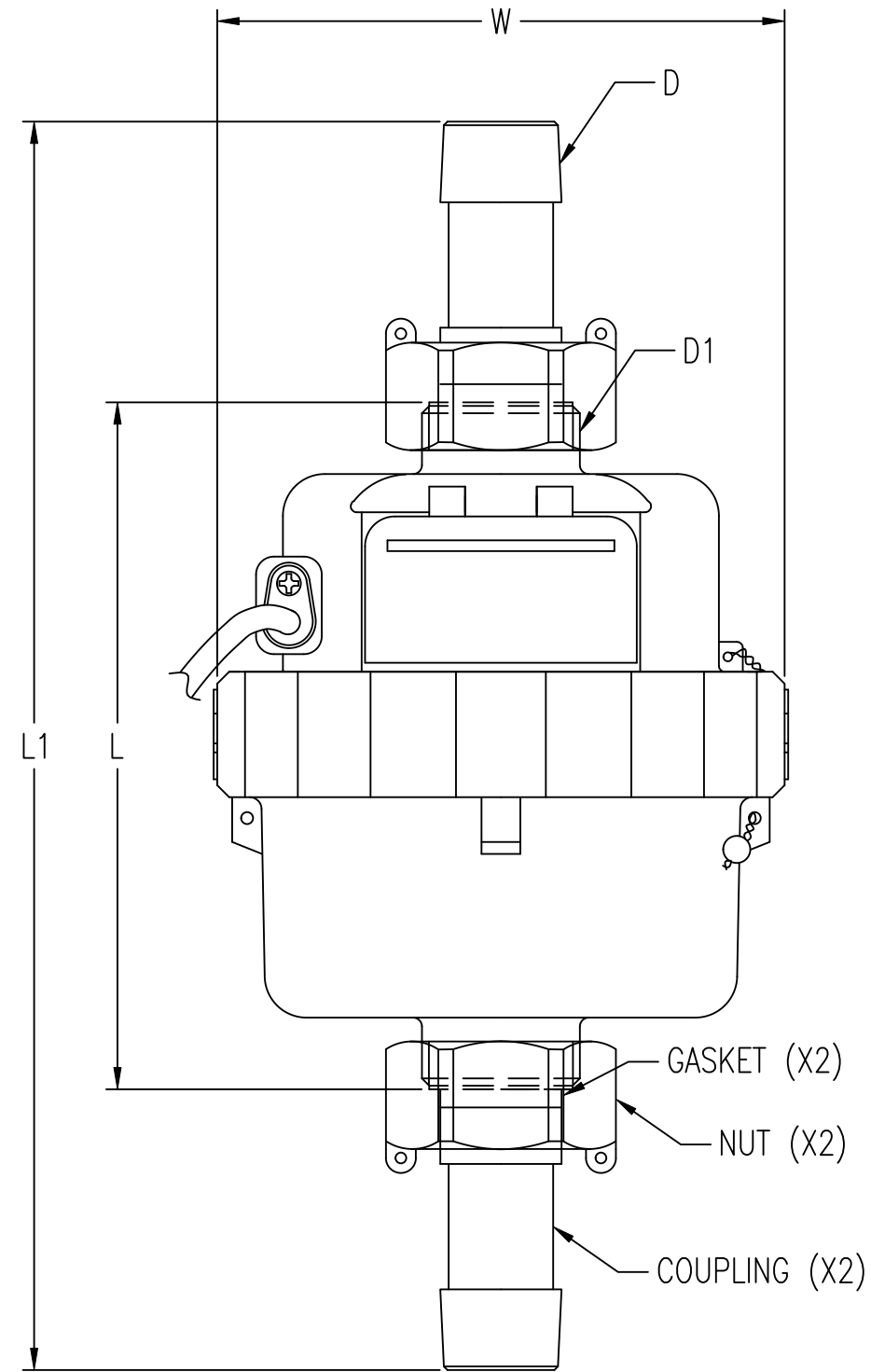


MODEL NUMBER	L		L1		D1	D	W	
WVT-A-01	4-17/32	115	8-15/64	209	G3/4	1/2 NPT	3-25/32	96
WVT-A-02	6-1/2	165	10-19/32	269	G1	3/4 NPT	4-11/64	106
WVT-A-01-01	4-17/32	115	8-15/64	209	G3/4	1/2 BSPT	3-25/32	96
WVT-A-02-01	6-1/2	165	10-19/32	269	G1	3/4 BSPT	4-11/64	106



Ⓢ = CRITICAL DIMENSION
 STANDARD TOLERANCES UNLESS NOTED:
 ALL DECIMAL DIMENSIONS ± .005
 ALL ANGLES ± 1°

			DATE 05-21-20	NAME	MATERIAL
			DWN BY DPR	ARTWORK SERIES WVT PLASTIC ROTARY PISTON WATER METER (DIMENSIONS) (FOR REFERENCE ONLY) ACAD2002	FINISH
			CHKD JO		DWYER INSTRUMENTS, INC. MICHIGAN CITY, INDIANA 46360 U.S.A.
			APPD FE		
NO.	CHANGES	BY/DATE			

NOTICE: This drawing and the principles and elements of design embodied therein are the exclusive property of DWYER INSTRUMENTS, INC. and are not to be communicated, disclosed, reproduced or used except as previously authorized in writing by such corporation and must not be submitted to outside parties for examination without the written consent of said corporation.