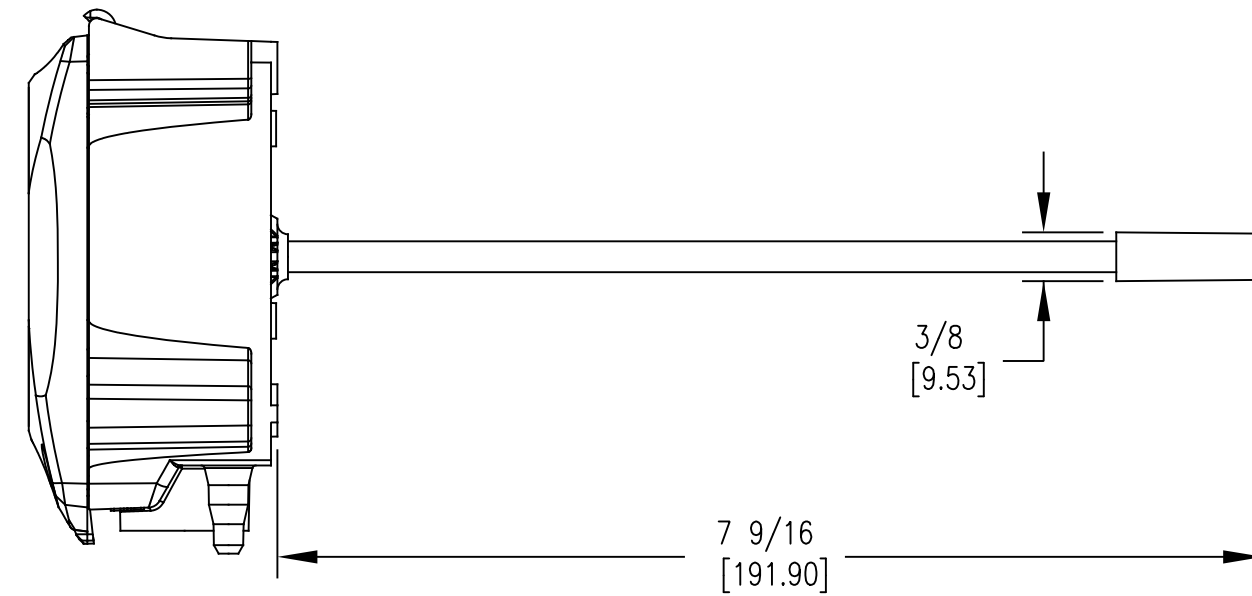
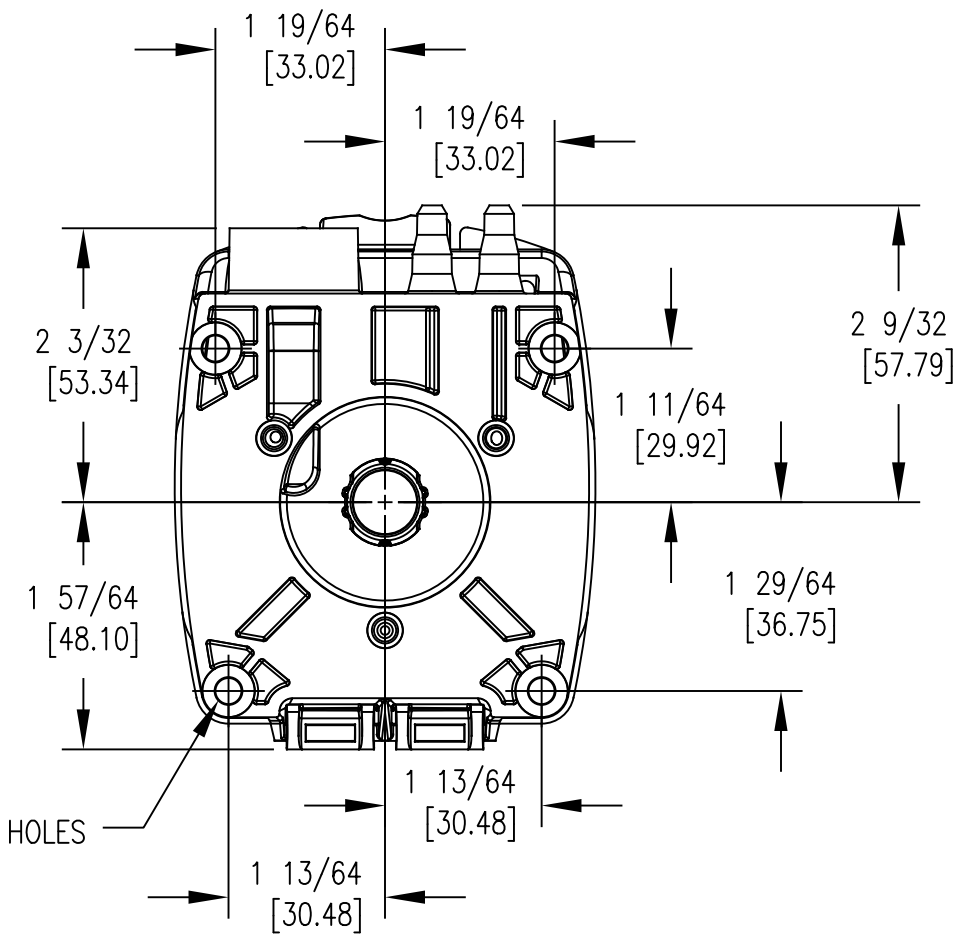
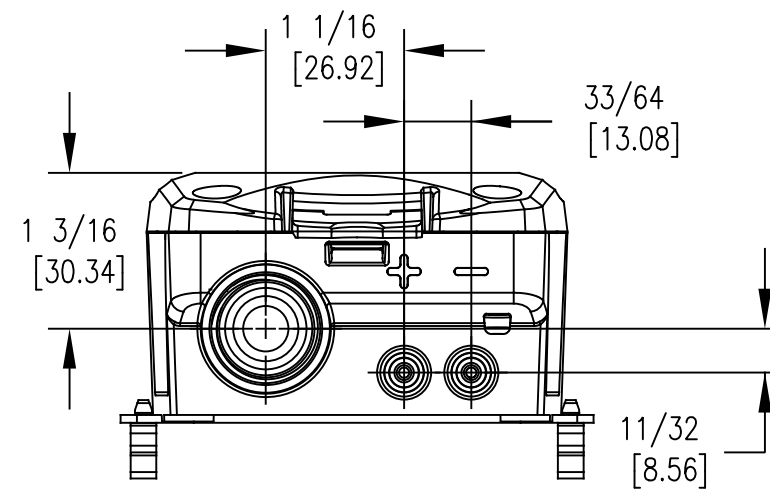
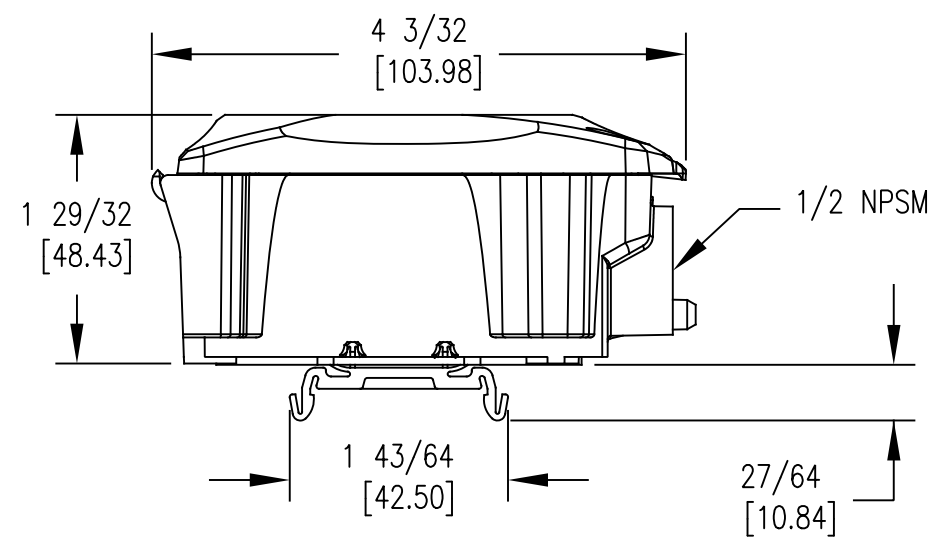


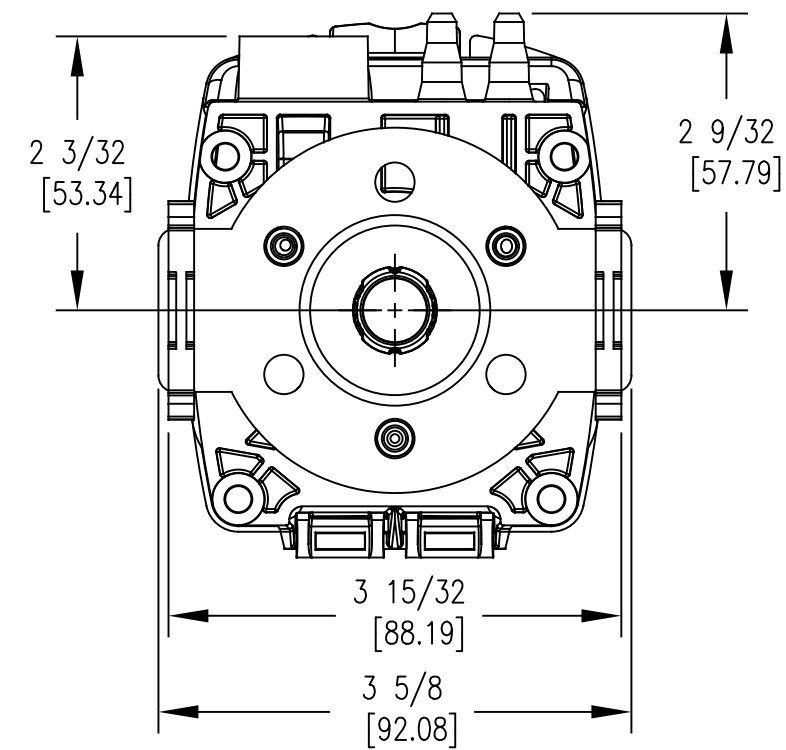
WALL MOUNT BRACKET



DUCT MOUNT BRACKET



DIN MOUNT BRACKET



Ⓢ = CRITICAL DIMENSION  
STANDARD TOLERANCES UNLESS NOTED:  
ALL DECIMAL DIMENSIONS ±  
ALL ANGLES ±

		DATE	NAME	MATERIAL
		5-1-20	BULLETIN ARTWORK	
		DWN BY	MSXP	FINISH
		CHKD	MOUNTING BRACKET	
		APPD	DETAILS	
1	UPDATED DESCRIPTION FROM MSX/E TO MSX/P PER ECR-046541	08-19-20		<b>DWYER INSTRUMENTS, INC.</b>
NO.	CHANGES	BY/DATE		MICHIGAN CITY, INDIANA 46360 U.S.A.
NOTICE: This drawing and the principles and elements of design embodied therein are the exclusive property of DWYER INSTRUMENTS, INC. and are not to be communicated, disclosed, reproduced or used except as previously authorized in writing by such corporation and must not be submitted to outside parties for examination without the written consent of said corporation.				ACAD2002
				3