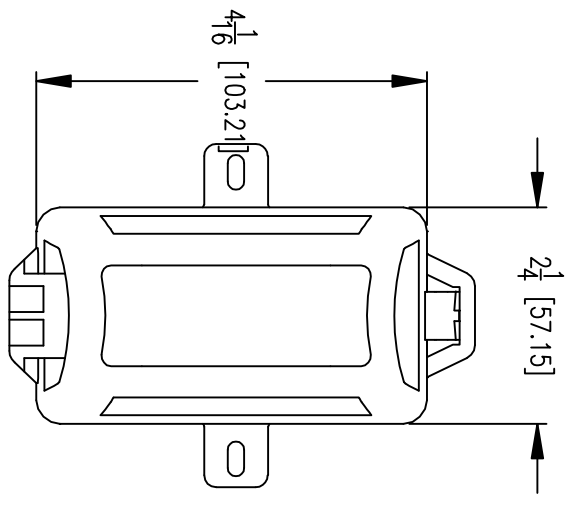
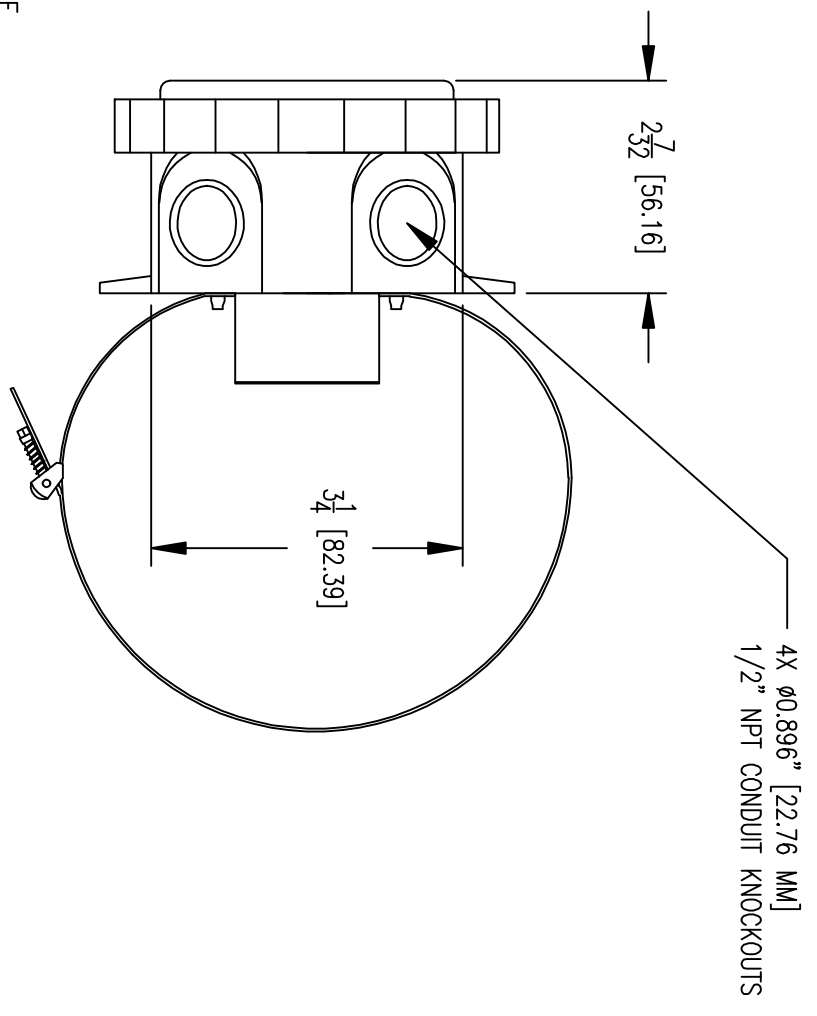
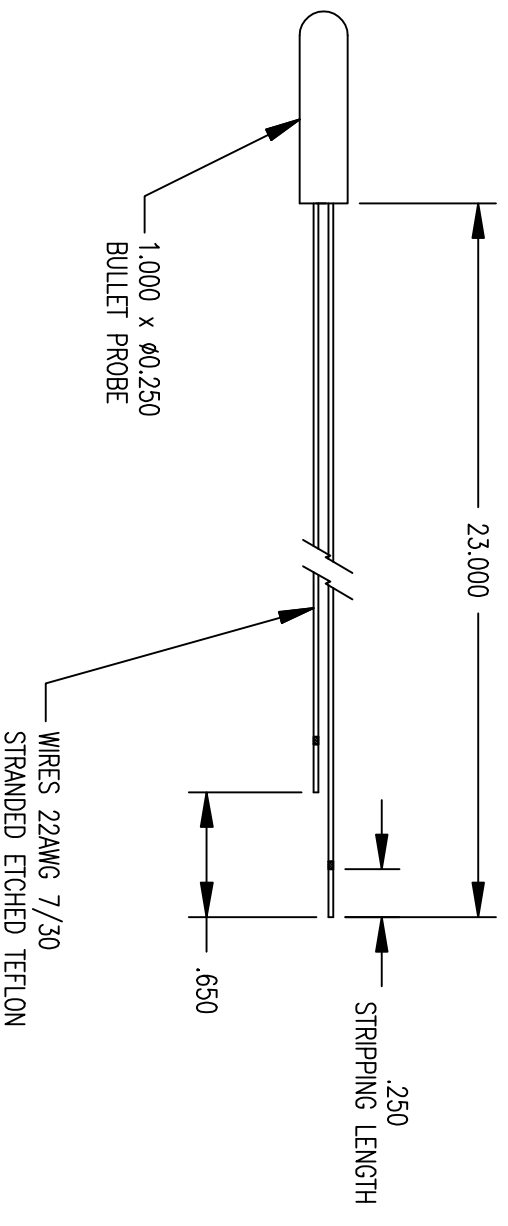
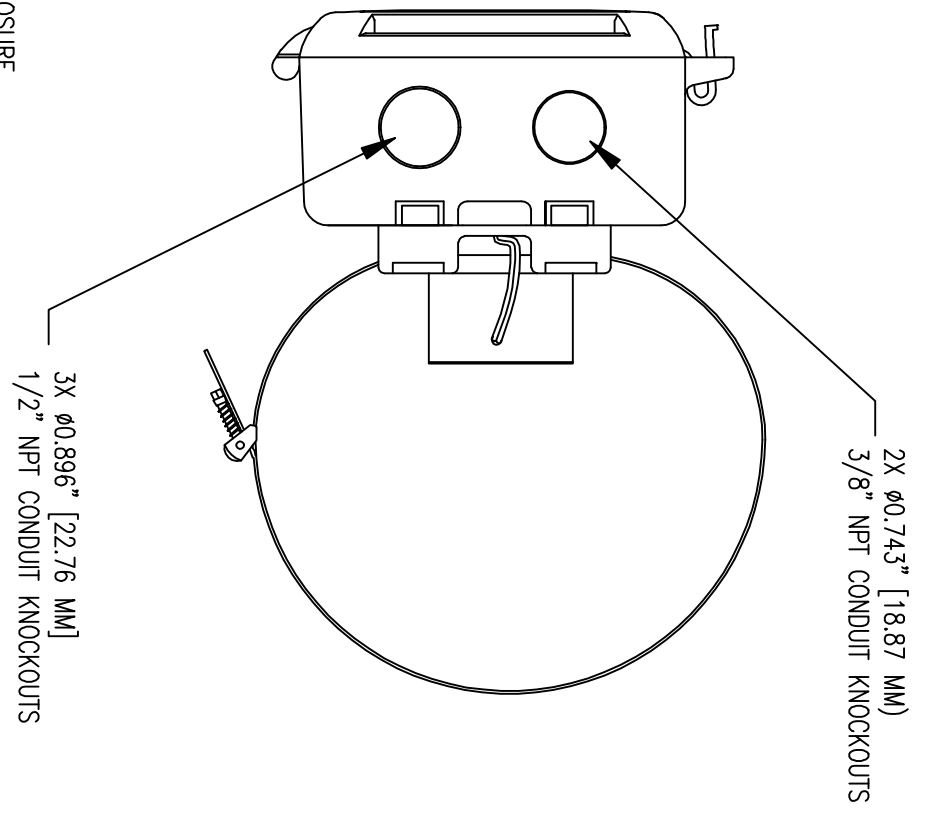


S2-4X W/NEMA ENCLOSURE



S2-2X W/GENERAL PURPOSE ENCLOSURE



S2-1X NO HOUSING

Ⓢ = CRITICAL DIMENSION
 DIMENSIONS UNLESS NOTED:
 ALL DECIMAL DIMENSIONS ± .005
 ALL ANGLES ± 1°

SCALE 1:2

NO.		CHANGES		DATE		NAME	
				BY/DATE		ARTWORK	
				APPD		S2 SERIES	
						SURFACE MOUNT	
						TEMPERATURE SENSOR	
						(FOR REFERENCE ONLY)	
						AC02002	
						FR. NO. R9-701239-00	
						MICHIGAN CITY, INDIANA 46360 U.S.A.	
						DWYER INSTRUMENTS, INC.	

NOTICE: This drawing and the production of drawings are the property of Dwyer Instruments, Inc. and are not to be reproduced, stored in a retrieval system, or transmitted in any form or by any means, electronic, mechanical, photocopying, recording, or by any information storage and retrieval system, without the written consent of said corporation.