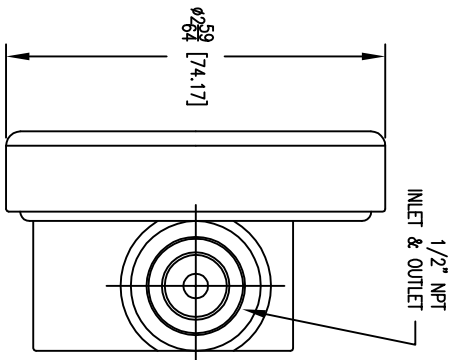
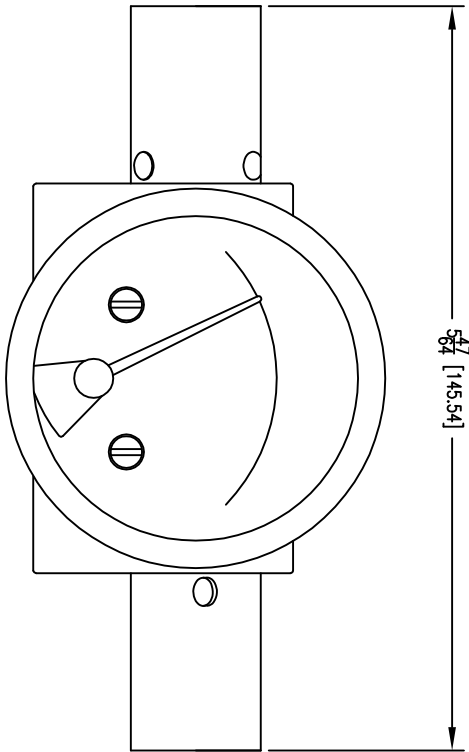


2.5" B-STYLE CASE DTFA 1/4" IN/OUT



2.5" B-STYLE CASE DTFA 1/2" IN/OUT

Ⓢ = CRITICAL DIMENSION  
 STANDARD TOLERANCES UNLESS NOTED:  
 ALL DIMENSIONS ± .005  
 ALL ANGLES ± 1°

		DTFA SERIES		
		ARTWORK		
		(FOR REFERENCE ONLY)		
NO.	CHANGES	DATE	BY	NAME
		09-20-11	DWN BT	
			DGH	
			CHD	
			CAT	
			APPD	
			BLP	
		BY/DATE		
NOTICE: This drawing and the principles and elements of design embodied therein are the exclusive property of DWYER INSTRUMENTS, INC. and are not to be reproduced, copied, or otherwise transmitted or used in any form or by any means, including electronic, mechanical, or otherwise, without the written consent of DWYER INSTRUMENTS, INC.			ACAD2002	
				3
FR. NO. R4-700915-00				DWYER INSTRUMENTS, INC. MICHIGAN CITY, INDIANA 46360 U.S.A.
				MATERIAL
				FINISH