

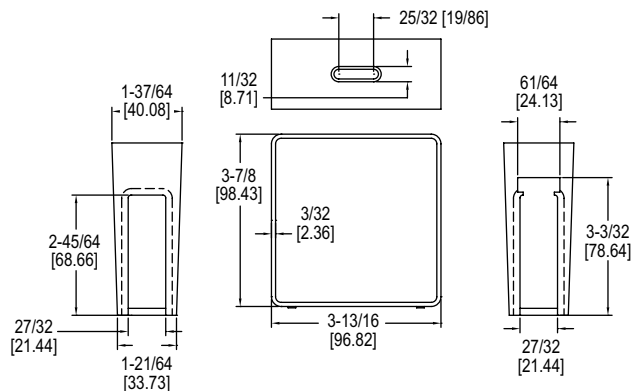
Dwyer
MODEL 480

VANEOMETER™ SWING VANE ANEMOMETER

Use This Sensitive Dwyer Unit to Measure Low Air Velocities — at Low Cost



Use a Vaneometer™ swing vane anemometer to measure velocity of air flow into laboratory fume hoods and at paint spray booths to determine when to change filters. Or wherever needed to meet OSHA standards of ventilation for smoke, dust or fume removal.



The **Model 480 Vaneometer™ Swing Vane Anemometer** is a durable, economically priced instrument specifically designed to simplify the measurement of low air velocities. It is accurate to $\pm 5\%$ of full-scale to 100 FPM and $\pm 10\%$ from 100 FPM to the top of scale. It has a spirit level to ensure accurate readings and the large scales are easy to read and visible from both sides.

BENEFITS/FEATURES

- Small size and weight for easy portability
- Easy to clean ABS plastic housing

APPLICATIONS

- Measure air flow into laboratory fume hoods

MODEL CHART	
Model	Description
480	25 to 400 FPM
M480	0 to 2.0 m/s

ACCESSORIES	
Model	Description
A-390	Extra vanes, pkg. of 2