

CHART 3

	MIN.		MAX.	
	INCHES	MM.	INCHES	CM.
A	9	229	119	30.23
C	3/4	19	FIXED	FIXED
D	3 1/2	89	113 1/2	28.83
TB	1 1/2	38	-	-

TB= TANK BOTTOM

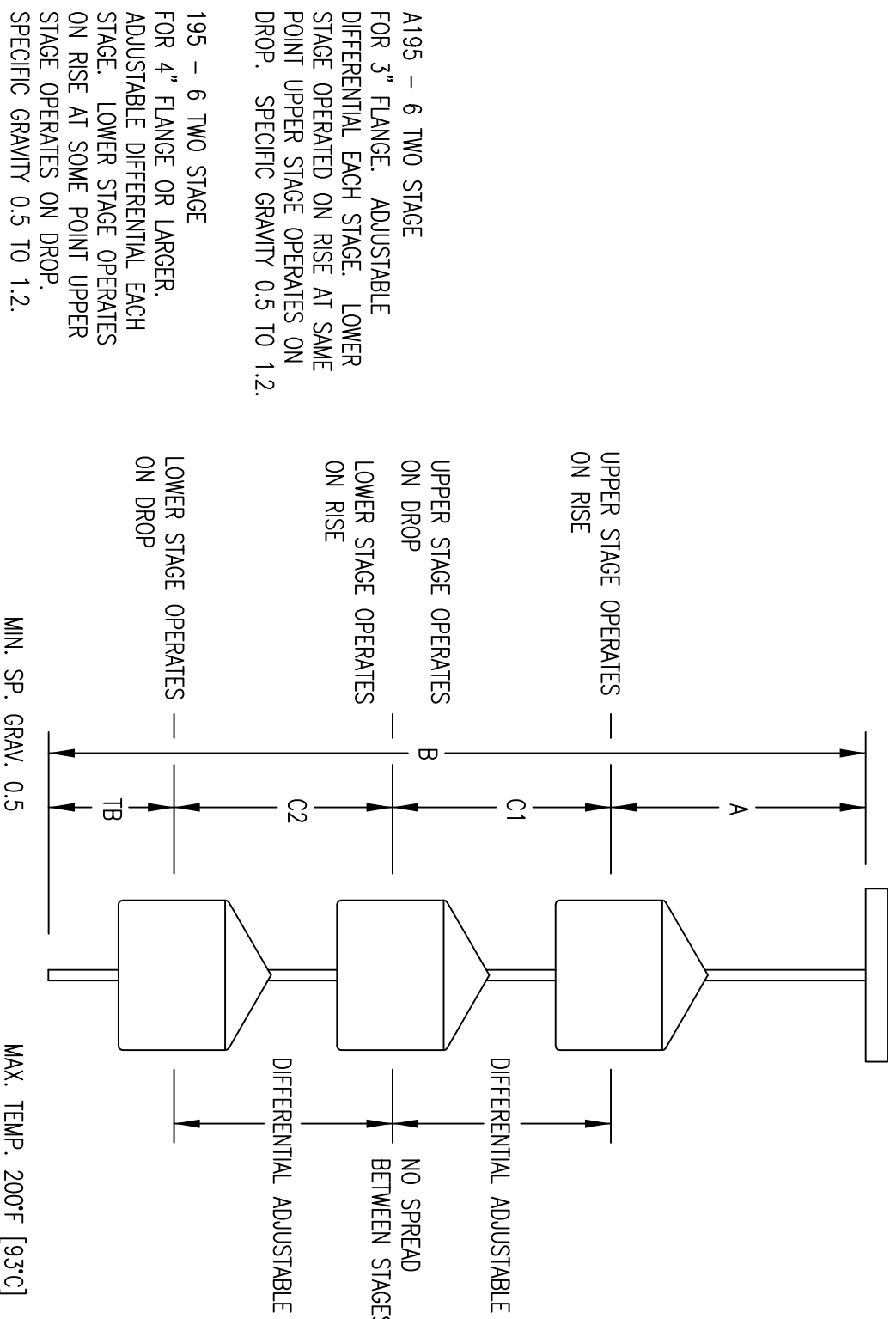


CHART 3

	MIN.		MAX.	
	INCHES	MM.	INCHES	CM.
A	9	229	118	29.97
B	15 1/2	394	125	31.75
C1	3 1/2	89	113	28.7
C2	3 1/2	89	113	28.7
TB	2	51	-	-

Ⓢ = CRITICAL DIMENSION
 STANDARD TOLERANCES UNLESS NOTED:
 ALL DECIMAL DIMENSIONS ± .005
 ALL ANGLES ± 1'

NO.		DATE		NAME	
		DWN BY		195 SERIES	
		CHKD		LEVEL CONTROL	
		APPD		ACAD2002	
CHANGES		BY/DATE		FR. NO.	
				3	
MATERIAL				FINISH	
Dwyer Instruments, Inc.					
Michigan City, Indiana 46360 U.S.A.					

NOTICE: This drawing and the principles and elements of design embodied therein are the exclusive property of DWYER INSTRUMENTS, INC. and are not to be communicated, disclosed, reproduced or used except as previously authorized in writing by such corporation and must not be submitted to outside parties for examination without the written consent of said corporation.