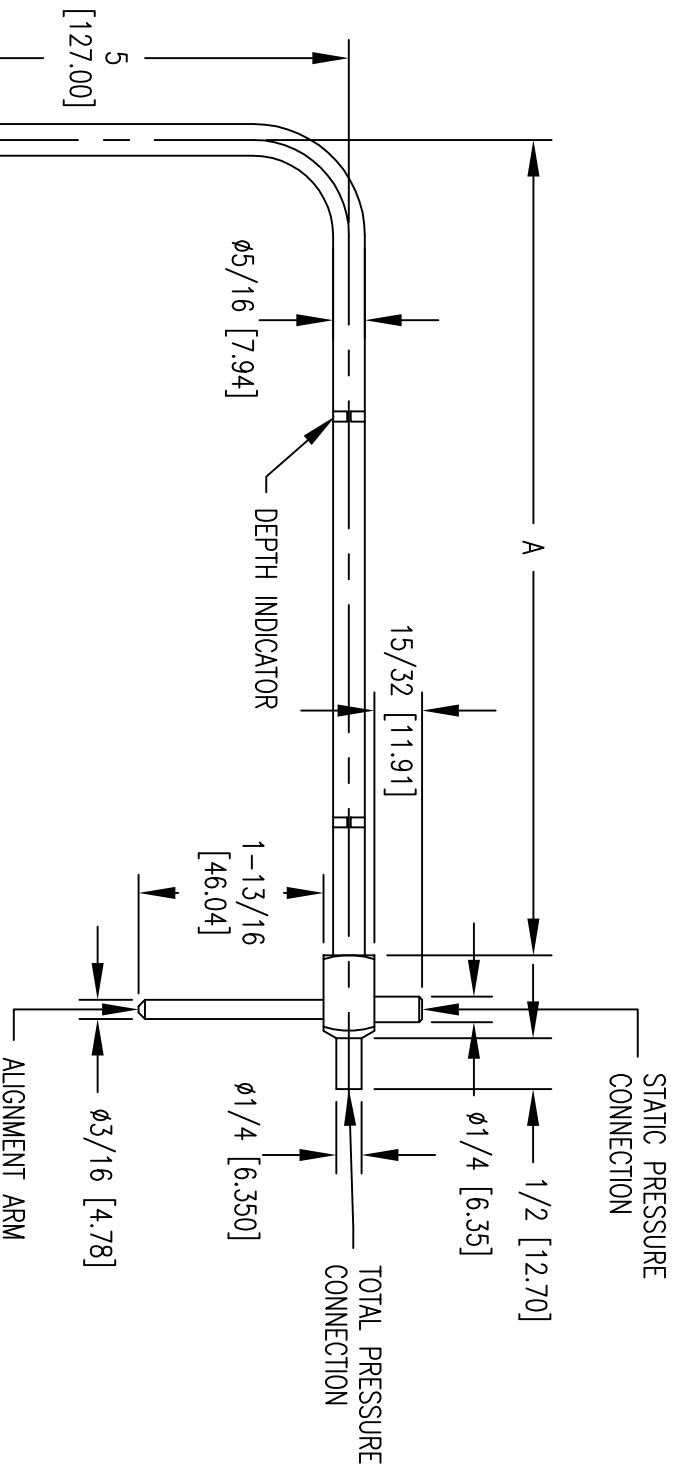


MODEL #	DIM A
160E-00	7-7/8 [200.03]
160E-01	11-7/8 [301.63]
160E-02	18-7/8 [479.43]
160E-03	31-1/2 [800.10]
160E-04	39-1/2 [1003.30]
160E-05	48 [1219.20]
160E-06	59-7/8 [1520.83]



2-1/2 [63.50]

5

[127.00]

15/32 [11.91]

1-13/16 [46.04]

1/2 [12.70]

1/4 [6.35]

1-13/16 [46.04]

1/4 [6.35]

3/16 [4.78]

Ø1/16 [1.59] HOLE

STATIC PRESSURE (8) Ø.040 [1.02] HOLES EQUALLY SPACED

TOTAL PRESSURE

SCALE 1:2

STANDARD TOLERANCES UNLESS NOTED:
 ALL FRACTIONAL DIMENSIONS ±1/64
 ALL DECIMAL DIMENSIONS ±

NO.			DATE			NAME			MATERIAL		
CHANGES			BY/DATE			APPD			ACADR14		
160E PITOT TUBE			DWN BY			160E PITOT TUBE			FINISH		
160E PITOT TUBE			CHKD			160E PITOT TUBE			FR. NO.		
160E PITOT TUBE			APPD			160E PITOT TUBE			Dwyer Instruments, Inc.		
160E PITOT TUBE			APPD			160E PITOT TUBE			MICHIGAN CITY, INDIANA 46360 U.S.A.		

NOTICE: This drawing and the principles and elements of design embodied therein are the exclusive property of DWYER INSTRUMENTS, INC. and are not to be communicated, disclosed, reproduced, copied, or in any way disseminated without the written consent of said corporation.