

**“solid-front” safety pressure gauges
all stainless steel construction
for high and extremely high pressures,
DS 4”, 6” (100-150mm)**



PED 2014/68/UE

1.22.2 - Fluid fillable model

Reference standard: EN837-1, DIN 16001.

Safety code: S3 according to EN 837-1.

Ranges: 0...2500, 0...3000, 0...4000, 0...5000 ⁽¹⁾ e 0...6000 ⁽¹⁾ bar;
0...30000, 0...40000, 0...60000 e 0...80000 ⁽¹⁾ psi/bar.

Accuracy class: 1 according to DIN 16001 for ranges up to 4000 bar;
1,6 according to DIN 16001 for ranges > 4000 bar.

Ambient temperature: -40...+65°C.

Process fluid temperature: -40...+150 °C.

Thermal drift: ±0,4 %/10 °C of the scale range (from 20°C).

Working pressure:

75% of S.F.V. for static pressures;

60% of S.F.V. for pulsating pressures.

Overpressure limit: max 100% of S.F.V.

Protection degree: IP 65/67 as per IEC 529.

Socket material: AISI 316L.

Bourdon tube: duplex st.st. seamless tube.

Case, ring and blow out disk: stainless steel

- DN100 AISI316L st.st.

- DN150 AISI 304 (available in AISI316L upon request)

Window: safety glass.

Movement: stainless steel with internal limit stops.

Dial: aluminium, white with black markings.

Pointer: adjustable, aluminium, black.

1.22.3 - Filled model

Damping liquid: glycerine 98%, silicon oil.

Ambient temperature:

+32...+149 °F (0...+65 °C) with glycerine filling;

-20...+149 °F (-20...+65 °C) with silicon oil filling

-76...+149 °F (-60...+65 °C) low temperatures special silicon oil filling.

Process fluid temperature: max +149°F (+65 °C).

Protection degree: IP 65/67 as per IEC 529.

Other features: as Standard Model.

(1) DN100 available with scale ranges up to 4000 bar/6000 psi

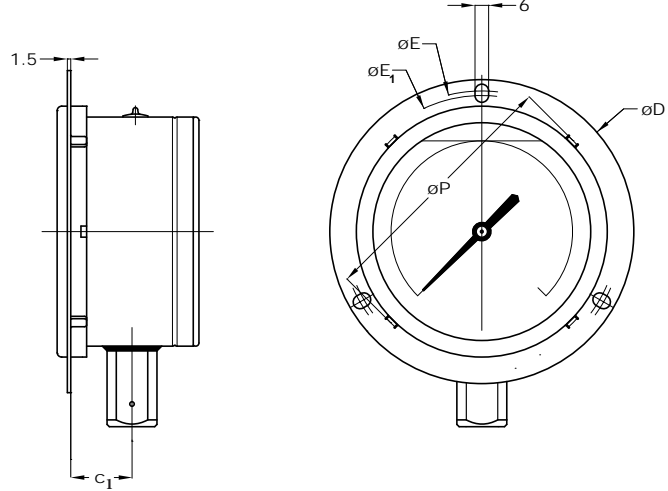
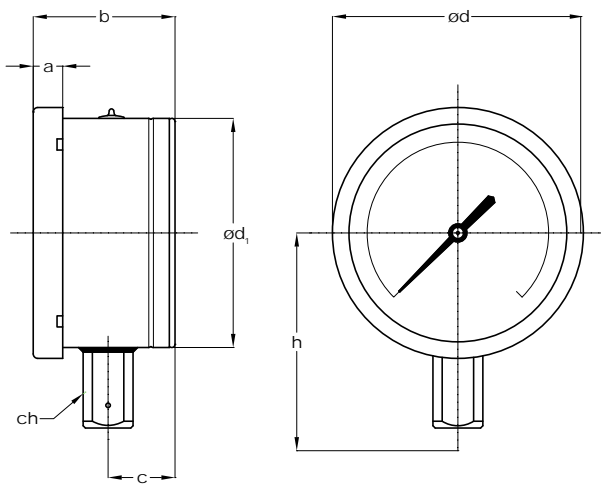
OPTIONS

Model	standard	fillable	filled
C - Back flange, for lower connection pressure gauges		◆	◆
F - 3-holes front flange (welded to the ring)		◆	◆
C40 - Case, blow out disk and ring in AISI 316L st. st.		◆	◆
P01 - Suitable for silicon oil filling		◆	
S10 - Silicone oil filling - A.t. -20...+65°C			◆
S60 - Silicone oil filling for low temperatures - A.t. -60...+65°C			◆
S1F - Restrictor for female connection, for ranges up to 6000 bar			◆
S1J - Restrictor for male connection, for ranges up to 4000 bar (suitable for water)			◆
S1M - Restrictor for male connection, for ranges up to 4000 bar			◆

"solid-front" safety pressure gauges

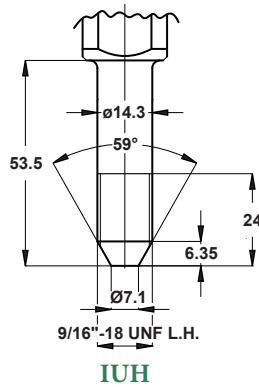
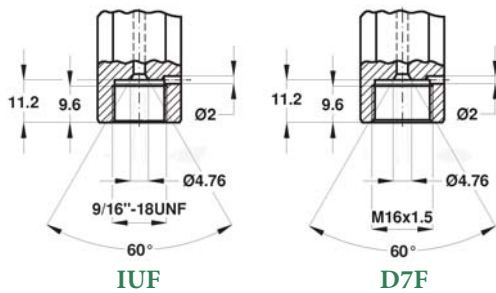
all stainless steel construction, for high and extremely high pressures DS 4", 6"

MGS22



A - LOWER CONNECTION
for direct on-site mounting on pipe

F - LOWER CONNECTION
with FRONT FLANGE
for on-site wall mounting



DS	F	a	b	c/c ₁	ø d	ø d ₁	h	D	E	E ₁	P	ch	Weight (2)
E 4" (100)	IUF - 9/16-18 UNF-2B (1)	13	62,5	29,5 / 27	110,5	101	86	134	124	120	113,5	22	0,75 kg
	D7F - M16 x 1,5						120	-	-	-			
G 6" (150)	IUF - 9/16-18 UNF-2B (1)	15	64	30 / 28 (5)	161	150,5	110	190	178	172	164	22 (4)	1,2 kg
	D7F - M16 x 1,5						140	-	-	-			
	IUH - 9/16-18 UNF-L.H. (3)						-	-	-	-			

(1) suitable for the following fittings:

- 1/4" F250C Autoclave
- 1/4" HF4 - HiP
- 1/4" Newport AMINCO HP
- 1/4" HP Butech

(2) add 0.95 lbs (0,43 kg) for DS 4" (100) and 1.76 lbs (0,8 kg) for DS 6" (150), when filled

(3) for ranges up to 4000 bar and direct mounting

(4) ch 24 for scale ranges > 4000 bar

(5) 29mm for ranges > 4000 bar

dimensions : mm

"HOW TO ORDER" SEQUENCE

Section / Model/Case /Mounting/ Diameter / Range / Process connection / Options

1 22 2 A E D7F C, F
3 F G IUF C40...S60
IUH S1E...S1M

